

| | | |
|----------------------------------|--|-----------------------|
| EXAMINED BY : Jacky-kwo | EMERGING DISPLAY TECHNOLOGIES CORPORATION | FILE NO . CAS-0006273 |
| APPROVED BY: Justin Horng | | ISSUE : JAN.21, 2025 |
| | | TOTAL PAGE : 30 |
| | | VERSION : 6 |

CUSTOMER ACCEPTANCE SPECIFICATIONS

MODEL NO. :

ET035009DH6
(RoHS)
FOR MESSRS :

CUSTOMER'S APPROVAL

DATE :

BY :

RECORDS OF REVISION

DOC . FIRST ISSUE

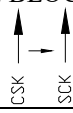
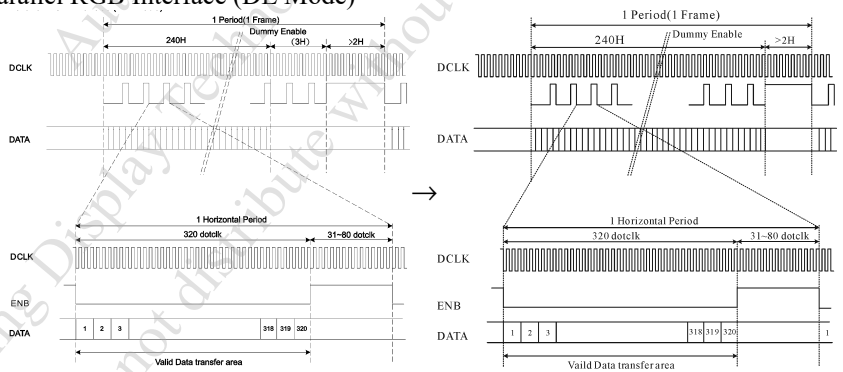
SEP.12, 2007

| DATE | REVISED PAGE NO. | SUMMARY | | | | | | | | | | | | | | | | | | | | | | | | | | | | | | | | | | | | | | | | | | | | | | | | | | | | | | | | | | | | | | | | | | | | | | | | | | | | | | | | | | | | | | | | | | | | | | | | | | | | | | | | | | | | | | | | | | | | | | | | | | | | | | | | | | | | | | | | | | | | | | | | | | | | | | | | | | | | | | | | | | | | | | | | | | | | | | | | | | | | | | | | | | | | | | | | | | |
|-------------------------------|--------------------|---|--------------------|---------|-----------|-------------------|---------------|--------|-------------------|--------|---------------|------------|---------|--------------------|-----------------|------|---|---------------|------------|------|-----------------|----|---------------|------|------|---|----------------|--------|--------------------------------------|-------|-------|--------|---------------------------|---------------|--------------------|--------------------------------------|----|----|-----------------------|------|-----|--------------------|----|----|-------------------------------|--------------------------|---|---|-------|-------|---|-------------------|-----|-------|---------|---------|---------|---|-------------------------|-----|---|---------|---------|---------|---|-----|-------|---------|---------|---------|---|------|---------|---------|---------|---|--|---------|---------|---------|---|--|---------|---------|---------|---|--|---------|---------|---------|---|------------------------------|---|---|------|---|---|---|---|------|--------|-----------|------|------|------|------|--------|---------------|------------|---------|--------------------|----|----|---|---------------|------------|------|------|---|---------------|------|------|---|----------------|----|--------------------------------------|-----|-----|---|-----|---------------|--------------------|--------------------------------------|---|----|----|------|-----|--------------------|---|----|----|--------------------------|---|---|-----|-----|---|-------------------|-----|-------|-------|-------|-------|---|-------------------------|-----|---|-------|-------|-------|---|-----|-------|-------|-------|-------|---|------|-------|-------|-------|---|--|-------|-------|-------|---|--|-------|-------|-------|---|--|-------|-------|-------|---|------------------------------|---|---|----|---|---|---|---|
| JAN.02, 2008 | 1 | 2. MECHANICAL SPECIFICATIONS (1) DISPLAY SIZE (inch) : 3.5" → DIAGONALS : 3.5 inch (9) COLOR: 262K (18BIT) → 262K, ADD (12) INTERFACE MODE | | | | | | | | | | | | | | | | | | | | | | | | | | | | | | | | | | | | | | | | | | | | | | | | | | | | | | | | | | | | | | | | | | | | | | | | | | | | | | | | | | | | | | | | | | | | | | | | | | | | | | | | | | | | | | | | | | | | | | | | | | | | | | | | | | | | | | | | | | | | | | | | | | | | | | | | | | | | | | | | | | | | | | | | | | | | | | | | | | | | | | | | | | | | | | | | | | |
| | 2 | 3.1 ELECTRICAL ABSOLUTE MAXIMUM RATINGS <table border="1"> <thead> <tr> <th>PARAMETER</th> <th>SYMBOL</th> <th>MIN.</th> <th>MAX.</th> <th>UNIT</th> <th>REMARK</th> </tr> </thead> <tbody> <tr> <td>POWER DISSIPATION</td> <td>PD</td> <td>—</td> <td>540</td> <td>mW</td> <td>—</td> </tr> <tr> <td>FORWARD CURRENT</td> <td>IF</td> <td>—</td> <td>25</td> <td>mA</td> <td>—</td> </tr> <tr> <td>REVERSE VOLTAGE</td> <td>VR</td> <td>—</td> <td>30</td> <td>V</td> <td>—</td> </tr> </tbody> </table> <table border="1"> <thead> <tr> <th>PARAMETER</th> <th>SYMBOL</th> <th>MIN.</th> <th>MAX.</th> <th>UNIT</th> <th>REMARK</th> </tr> </thead> <tbody> <tr> <td>LED BACKLIGHT DISSIPATION</td> <td>PD</td> <td>—</td> <td>540</td> <td>mW</td> <td>—</td> </tr> <tr> <td>LED BACKLIGHT CURRENT</td> <td>IF</td> <td>—</td> <td>25</td> <td>mA</td> <td>—</td> </tr> <tr> <td>LED BACKLIGHT REVERSE VOLTAGE</td> <td>VR</td> <td>—</td> <td>30</td> <td>V</td> <td>—</td> </tr> </tbody> </table> | PARAMETER | SYMBOL | MIN. | MAX. | UNIT | REMARK | POWER DISSIPATION | PD | — | 540 | mW | — | FORWARD CURRENT | IF | — | 25 | mA | — | REVERSE VOLTAGE | VR | — | 30 | V | — | PARAMETER | SYMBOL | MIN. | MAX. | UNIT | REMARK | LED BACKLIGHT DISSIPATION | PD | — | 540 | mW | — | LED BACKLIGHT CURRENT | IF | — | 25 | mA | — | LED BACKLIGHT REVERSE VOLTAGE | VR | — | 30 | V | — | | | | | | | | | | | | | | | | | | | | | | | | | | | | | | | | | | | | | | | | | | | | | | | | | | | | | | | | | | | | | | | | | | | | | | | | | | | | | | | | | | | | | | | | | | | | | | | | | | | | | | | | | | | | | | | | | | | | | | | | | | | | | | | | | | | | | | | | | | | | | | | | | | |
| PARAMETER | SYMBOL | MIN. | MAX. | UNIT | REMARK | | | | | | | | | | | | | | | | | | | | | | | | | | | | | | | | | | | | | | | | | | | | | | | | | | | | | | | | | | | | | | | | | | | | | | | | | | | | | | | | | | | | | | | | | | | | | | | | | | | | | | | | | | | | | | | | | | | | | | | | | | | | | | | | | | | | | | | | | | | | | | | | | | | | | | | | | | | | | | | | | | | | | | | | | | | | | | | | | | | | | | | | | | | | | | | |
| POWER DISSIPATION | PD | — | 540 | mW | — | | | | | | | | | | | | | | | | | | | | | | | | | | | | | | | | | | | | | | | | | | | | | | | | | | | | | | | | | | | | | | | | | | | | | | | | | | | | | | | | | | | | | | | | | | | | | | | | | | | | | | | | | | | | | | | | | | | | | | | | | | | | | | | | | | | | | | | | | | | | | | | | | | | | | | | | | | | | | | | | | | | | | | | | | | | | | | | | | | | | | | | | | | | | | | | |
| FORWARD CURRENT | IF | — | 25 | mA | — | | | | | | | | | | | | | | | | | | | | | | | | | | | | | | | | | | | | | | | | | | | | | | | | | | | | | | | | | | | | | | | | | | | | | | | | | | | | | | | | | | | | | | | | | | | | | | | | | | | | | | | | | | | | | | | | | | | | | | | | | | | | | | | | | | | | | | | | | | | | | | | | | | | | | | | | | | | | | | | | | | | | | | | | | | | | | | | | | | | | | | | | | | | | | | | |
| REVERSE VOLTAGE | VR | — | 30 | V | — | | | | | | | | | | | | | | | | | | | | | | | | | | | | | | | | | | | | | | | | | | | | | | | | | | | | | | | | | | | | | | | | | | | | | | | | | | | | | | | | | | | | | | | | | | | | | | | | | | | | | | | | | | | | | | | | | | | | | | | | | | | | | | | | | | | | | | | | | | | | | | | | | | | | | | | | | | | | | | | | | | | | | | | | | | | | | | | | | | | | | | | | | | | | | | | |
| PARAMETER | SYMBOL | MIN. | MAX. | UNIT | REMARK | | | | | | | | | | | | | | | | | | | | | | | | | | | | | | | | | | | | | | | | | | | | | | | | | | | | | | | | | | | | | | | | | | | | | | | | | | | | | | | | | | | | | | | | | | | | | | | | | | | | | | | | | | | | | | | | | | | | | | | | | | | | | | | | | | | | | | | | | | | | | | | | | | | | | | | | | | | | | | | | | | | | | | | | | | | | | | | | | | | | | | | | | | | | | | | |
| LED BACKLIGHT DISSIPATION | PD | — | 540 | mW | — | | | | | | | | | | | | | | | | | | | | | | | | | | | | | | | | | | | | | | | | | | | | | | | | | | | | | | | | | | | | | | | | | | | | | | | | | | | | | | | | | | | | | | | | | | | | | | | | | | | | | | | | | | | | | | | | | | | | | | | | | | | | | | | | | | | | | | | | | | | | | | | | | | | | | | | | | | | | | | | | | | | | | | | | | | | | | | | | | | | | | | | | | | | | | | | |
| LED BACKLIGHT CURRENT | IF | — | 25 | mA | — | | | | | | | | | | | | | | | | | | | | | | | | | | | | | | | | | | | | | | | | | | | | | | | | | | | | | | | | | | | | | | | | | | | | | | | | | | | | | | | | | | | | | | | | | | | | | | | | | | | | | | | | | | | | | | | | | | | | | | | | | | | | | | | | | | | | | | | | | | | | | | | | | | | | | | | | | | | | | | | | | | | | | | | | | | | | | | | | | | | | | | | | | | | | | | | |
| LED BACKLIGHT REVERSE VOLTAGE | VR | — | 30 | V | — | | | | | | | | | | | | | | | | | | | | | | | | | | | | | | | | | | | | | | | | | | | | | | | | | | | | | | | | | | | | | | | | | | | | | | | | | | | | | | | | | | | | | | | | | | | | | | | | | | | | | | | | | | | | | | | | | | | | | | | | | | | | | | | | | | | | | | | | | | | | | | | | | | | | | | | | | | | | | | | | | | | | | | | | | | | | | | | | | | | | | | | | | | | | | | | |
| | 3 | 4. ELECTRICAL CHARACTERISTICS DIGITAL OPERATING CURRENT : TYP.= (1) → 1, MAX.= (2) → 2 ANALOG OPERATING CURRENT : TYP.= (10) → 10, MAX.= (15) → 15 FORWARD VOLTAGE → LED BACKLIGHT FORWARD VOLTAGE ADD NOTE (2) AMBIENT TEMP. VS. ALLOWABLE FORWARD CURRENT. (PER LED) | | | | | | | | | | | | | | | | | | | | | | | | | | | | | | | | | | | | | | | | | | | | | | | | | | | | | | | | | | | | | | | | | | | | | | | | | | | | | | | | | | | | | | | | | | | | | | | | | | | | | | | | | | | | | | | | | | | | | | | | | | | | | | | | | | | | | | | | | | | | | | | | | | | | | | | | | | | | | | | | | | | | | | | | | | | | | | | | | | | | | | | | | | | | | | | | | | |
| | 4 | 5. TIMING CHART ADD | | | | | | | | | | | | | | | | | | | | | | | | | | | | | | | | | | | | | | | | | | | | | | | | | | | | | | | | | | | | | | | | | | | | | | | | | | | | | | | | | | | | | | | | | | | | | | | | | | | | | | | | | | | | | | | | | | | | | | | | | | | | | | | | | | | | | | | | | | | | | | | | | | | | | | | | | | | | | | | | | | | | | | | | | | | | | | | | | | | | | | | | | | | | | | | | | | |
| | 7 | 6.1 OPTICAL CHARACTERISTICS <table border="1"> <thead> <tr> <th>ITEM</th> <th>SYMBOL</th> <th>CONDITION</th> <th>MIN.</th> <th>TYP.</th> <th>MAX.</th> <th>UNIT</th> <th>REMARK</th> </tr> </thead> <tbody> <tr> <td rowspan="3">VIEWING ANGLE</td> <td>θ_v</td> <td rowspan="3">CR ≥ 10</td> <td>$\theta_v=0^\circ$</td> <td>(50)</td> <td>(55)</td> <td>—</td> <td rowspan="3">deg. (2), (3)</td> </tr> <tr> <td>θ_h</td> <td>(70)</td> <td>(75)</td> <td>—</td> </tr> <tr> <td>θ_{vh}</td> <td>(70)</td> <td>(75)</td> <td>—</td> </tr> <tr> <td>CONTRAST RATIO</td> <td>CR</td> <td>$\theta_v=0^\circ, \theta_h=0^\circ$</td> <td>(300)</td> <td>(400)</td> <td>—</td> <td>(3)</td> </tr> <tr> <td rowspan="2">RESPONSE TIME</td> <td>$t_r(\text{rise})$</td> <td rowspan="2">$\theta_v=0^\circ, \theta_h=0^\circ$</td> <td>—</td> <td>15</td> <td>20</td> <td>msec</td> <td rowspan="2">(4)</td> </tr> <tr> <td>$t_f(\text{fall})$</td> <td>—</td> <td>35</td> <td>50</td> </tr> <tr> <td rowspan="2">THE BRIGHTNESS OF MODULE</td> <td>B</td> <td rowspan="2">$\theta_v=0^\circ, \theta_h=0^\circ$ IF=20mA</td> <td>(300)</td> <td>(400)</td> <td>—</td> <td>cd/m²</td> <td rowspan="2">(5)</td> </tr> <tr> <td>WHITE</td> <td>(0.236)</td> <td>(0.286)</td> <td>(0.336)</td> <td>—</td> </tr> <tr> <td rowspan="6">COLOR OF CIE COORDINATE</td> <td>RED</td> <td rowspan="6">$\theta_v=0^\circ, \theta_h=0^\circ$ IF=20mA NTSC : (60%)</td> <td>(0.261)</td> <td>(0.311)</td> <td>(0.361)</td> <td>—</td> <td rowspan="6">(6)</td> </tr> <tr> <td>GREEN</td> <td>(0.362)</td> <td>(0.612)</td> <td>(0.662)</td> <td>—</td> </tr> <tr> <td>BLUE</td> <td>(0.305)</td> <td>(0.355)</td> <td>(0.405)</td> <td>—</td> </tr> <tr> <td></td> <td>(0.262)</td> <td>(0.312)</td> <td>(0.362)</td> <td>—</td> </tr> <tr> <td></td> <td>(0.533)</td> <td>(0.583)</td> <td>(0.633)</td> <td>—</td> </tr> <tr> <td></td> <td>(0.090)</td> <td>(0.140)</td> <td>(0.190)</td> <td>—</td> </tr> <tr> <td>THE UNIFORMITY OF BRIGHTNESS</td> <td>—</td> <td>—</td> <td>(70)</td> <td>—</td> <td>—</td> <td>%</td> <td>—</td> </tr> </tbody> </table> <table border="1"> <thead> <tr> <th>ITEM</th> <th>SYMBOL</th> <th>CONDITION</th> <th>MIN.</th> <th>TYP.</th> <th>MAX.</th> <th>UNIT</th> <th>REMARK</th> </tr> </thead> <tbody> <tr> <td rowspan="3">VIEWING ANGLE</td> <td>θ_v</td> <td rowspan="3">CR ≥ 10</td> <td>$\theta_v=0^\circ$</td> <td>50</td> <td>55</td> <td>—</td> <td rowspan="3">deg. (2), (3)</td> </tr> <tr> <td>θ_h</td> <td>(70)</td> <td>(75)</td> <td>—</td> </tr> <tr> <td>θ_{vh}</td> <td>(70)</td> <td>(75)</td> <td>—</td> </tr> <tr> <td>CONTRAST RATIO</td> <td>CR</td> <td>$\theta_v=0^\circ, \theta_h=0^\circ$</td> <td>300</td> <td>400</td> <td>—</td> <td>(3)</td> </tr> <tr> <td rowspan="2">RESPONSE TIME</td> <td>$t_r(\text{rise})$</td> <td rowspan="2">$\theta_v=0^\circ, \theta_h=0^\circ$</td> <td>—</td> <td>15</td> <td>20</td> <td>msec</td> <td rowspan="2">(4)</td> </tr> <tr> <td>$t_f(\text{fall})$</td> <td>—</td> <td>35</td> <td>50</td> </tr> <tr> <td rowspan="2">THE BRIGHTNESS OF MODULE</td> <td>B</td> <td rowspan="2">$\theta_v=0^\circ, \theta_h=0^\circ$ IF=20mA</td> <td>300</td> <td>400</td> <td>—</td> <td>cd/m²</td> <td rowspan="2">(5)</td> </tr> <tr> <td>WHITE</td> <td>0.236</td> <td>0.286</td> <td>0.336</td> <td>—</td> </tr> <tr> <td rowspan="6">COLOR OF CIE COORDINATE</td> <td>RED</td> <td rowspan="6">$\theta_v=0^\circ, \theta_h=0^\circ$ IF=20mA NTSC : 60%</td> <td>0.261</td> <td>0.311</td> <td>0.361</td> <td>—</td> <td rowspan="6">(6)</td> </tr> <tr> <td>GREEN</td> <td>0.362</td> <td>0.612</td> <td>0.662</td> <td>—</td> </tr> <tr> <td>BLUE</td> <td>0.305</td> <td>0.355</td> <td>0.405</td> <td>—</td> </tr> <tr> <td></td> <td>0.262</td> <td>0.312</td> <td>0.362</td> <td>—</td> </tr> <tr> <td></td> <td>0.533</td> <td>0.583</td> <td>0.633</td> <td>—</td> </tr> <tr> <td></td> <td>0.090</td> <td>0.140</td> <td>0.190</td> <td>—</td> </tr> <tr> <td>THE UNIFORMITY OF BRIGHTNESS</td> <td>—</td> <td>—</td> <td>70</td> <td>—</td> <td>—</td> <td>%</td> <td>—</td> </tr> </tbody> </table> | ITEM | SYMBOL | CONDITION | MIN. | TYP. | MAX. | UNIT | REMARK | VIEWING ANGLE | θ_v | CR ≥ 10 | $\theta_v=0^\circ$ | (50) | (55) | — | deg. (2), (3) | θ_h | (70) | (75) | — | θ_{vh} | (70) | (75) | — | CONTRAST RATIO | CR | $\theta_v=0^\circ, \theta_h=0^\circ$ | (300) | (400) | — | (3) | RESPONSE TIME | $t_r(\text{rise})$ | $\theta_v=0^\circ, \theta_h=0^\circ$ | — | 15 | 20 | msec | (4) | $t_f(\text{fall})$ | — | 35 | 50 | THE BRIGHTNESS OF MODULE | B | $\theta_v=0^\circ, \theta_h=0^\circ$ IF=20mA | (300) | (400) | — | cd/m ² | (5) | WHITE | (0.236) | (0.286) | (0.336) | — | COLOR OF CIE COORDINATE | RED | $\theta_v=0^\circ, \theta_h=0^\circ$ IF=20mA NTSC : (60%) | (0.261) | (0.311) | (0.361) | — | (6) | GREEN | (0.362) | (0.612) | (0.662) | — | BLUE | (0.305) | (0.355) | (0.405) | — | | (0.262) | (0.312) | (0.362) | — | | (0.533) | (0.583) | (0.633) | — | | (0.090) | (0.140) | (0.190) | — | THE UNIFORMITY OF BRIGHTNESS | — | — | (70) | — | — | % | — | ITEM | SYMBOL | CONDITION | MIN. | TYP. | MAX. | UNIT | REMARK | VIEWING ANGLE | θ_v | CR ≥ 10 | $\theta_v=0^\circ$ | 50 | 55 | — | deg. (2), (3) | θ_h | (70) | (75) | — | θ_{vh} | (70) | (75) | — | CONTRAST RATIO | CR | $\theta_v=0^\circ, \theta_h=0^\circ$ | 300 | 400 | — | (3) | RESPONSE TIME | $t_r(\text{rise})$ | $\theta_v=0^\circ, \theta_h=0^\circ$ | — | 15 | 20 | msec | (4) | $t_f(\text{fall})$ | — | 35 | 50 | THE BRIGHTNESS OF MODULE | B | $\theta_v=0^\circ, \theta_h=0^\circ$ IF=20mA | 300 | 400 | — | cd/m ² | (5) | WHITE | 0.236 | 0.286 | 0.336 | — | COLOR OF CIE COORDINATE | RED | $\theta_v=0^\circ, \theta_h=0^\circ$ IF=20mA NTSC : 60% | 0.261 | 0.311 | 0.361 | — | (6) | GREEN | 0.362 | 0.612 | 0.662 | — | BLUE | 0.305 | 0.355 | 0.405 | — | | 0.262 | 0.312 | 0.362 | — | | 0.533 | 0.583 | 0.633 | — | | 0.090 | 0.140 | 0.190 | — | THE UNIFORMITY OF BRIGHTNESS | — | — | 70 | — | — | % | — |
| ITEM | SYMBOL | CONDITION | MIN. | TYP. | MAX. | UNIT | REMARK | | | | | | | | | | | | | | | | | | | | | | | | | | | | | | | | | | | | | | | | | | | | | | | | | | | | | | | | | | | | | | | | | | | | | | | | | | | | | | | | | | | | | | | | | | | | | | | | | | | | | | | | | | | | | | | | | | | | | | | | | | | | | | | | | | | | | | | | | | | | | | | | | | | | | | | | | | | | | | | | | | | | | | | | | | | | | | | | | | | | | | | | | | | | | |
| VIEWING ANGLE | θ_v | CR ≥ 10 | $\theta_v=0^\circ$ | (50) | (55) | — | deg. (2), (3) | | | | | | | | | | | | | | | | | | | | | | | | | | | | | | | | | | | | | | | | | | | | | | | | | | | | | | | | | | | | | | | | | | | | | | | | | | | | | | | | | | | | | | | | | | | | | | | | | | | | | | | | | | | | | | | | | | | | | | | | | | | | | | | | | | | | | | | | | | | | | | | | | | | | | | | | | | | | | | | | | | | | | | | | | | | | | | | | | | | | | | | | | | | | | |
| | θ_h | | (70) | (75) | — | | | | | | | | | | | | | | | | | | | | | | | | | | | | | | | | | | | | | | | | | | | | | | | | | | | | | | | | | | | | | | | | | | | | | | | | | | | | | | | | | | | | | | | | | | | | | | | | | | | | | | | | | | | | | | | | | | | | | | | | | | | | | | | | | | | | | | | | | | | | | | | | | | | | | | | | | | | | | | | | | | | | | | | | | | | | | | | | | | | | | | | | | | | | | | | |
| | θ_{vh} | | (70) | (75) | — | | | | | | | | | | | | | | | | | | | | | | | | | | | | | | | | | | | | | | | | | | | | | | | | | | | | | | | | | | | | | | | | | | | | | | | | | | | | | | | | | | | | | | | | | | | | | | | | | | | | | | | | | | | | | | | | | | | | | | | | | | | | | | | | | | | | | | | | | | | | | | | | | | | | | | | | | | | | | | | | | | | | | | | | | | | | | | | | | | | | | | | | | | | | | | | |
| CONTRAST RATIO | CR | $\theta_v=0^\circ, \theta_h=0^\circ$ | (300) | (400) | — | (3) | | | | | | | | | | | | | | | | | | | | | | | | | | | | | | | | | | | | | | | | | | | | | | | | | | | | | | | | | | | | | | | | | | | | | | | | | | | | | | | | | | | | | | | | | | | | | | | | | | | | | | | | | | | | | | | | | | | | | | | | | | | | | | | | | | | | | | | | | | | | | | | | | | | | | | | | | | | | | | | | | | | | | | | | | | | | | | | | | | | | | | | | | | | | | | |
| RESPONSE TIME | $t_r(\text{rise})$ | $\theta_v=0^\circ, \theta_h=0^\circ$ | — | 15 | 20 | msec | (4) | | | | | | | | | | | | | | | | | | | | | | | | | | | | | | | | | | | | | | | | | | | | | | | | | | | | | | | | | | | | | | | | | | | | | | | | | | | | | | | | | | | | | | | | | | | | | | | | | | | | | | | | | | | | | | | | | | | | | | | | | | | | | | | | | | | | | | | | | | | | | | | | | | | | | | | | | | | | | | | | | | | | | | | | | | | | | | | | | | | | | | | | | | | | | |
| | $t_f(\text{fall})$ | | — | 35 | 50 | | | | | | | | | | | | | | | | | | | | | | | | | | | | | | | | | | | | | | | | | | | | | | | | | | | | | | | | | | | | | | | | | | | | | | | | | | | | | | | | | | | | | | | | | | | | | | | | | | | | | | | | | | | | | | | | | | | | | | | | | | | | | | | | | | | | | | | | | | | | | | | | | | | | | | | | | | | | | | | | | | | | | | | | | | | | | | | | | | | | | | | | | | | | | | | |
| THE BRIGHTNESS OF MODULE | B | $\theta_v=0^\circ, \theta_h=0^\circ$ IF=20mA | (300) | (400) | — | cd/m ² | (5) | | | | | | | | | | | | | | | | | | | | | | | | | | | | | | | | | | | | | | | | | | | | | | | | | | | | | | | | | | | | | | | | | | | | | | | | | | | | | | | | | | | | | | | | | | | | | | | | | | | | | | | | | | | | | | | | | | | | | | | | | | | | | | | | | | | | | | | | | | | | | | | | | | | | | | | | | | | | | | | | | | | | | | | | | | | | | | | | | | | | | | | | | | | | | |
| | WHITE | | (0.236) | (0.286) | (0.336) | — | | | | | | | | | | | | | | | | | | | | | | | | | | | | | | | | | | | | | | | | | | | | | | | | | | | | | | | | | | | | | | | | | | | | | | | | | | | | | | | | | | | | | | | | | | | | | | | | | | | | | | | | | | | | | | | | | | | | | | | | | | | | | | | | | | | | | | | | | | | | | | | | | | | | | | | | | | | | | | | | | | | | | | | | | | | | | | | | | | | | | | | | | | | | | | |
| COLOR OF CIE COORDINATE | RED | $\theta_v=0^\circ, \theta_h=0^\circ$ IF=20mA NTSC : (60%) | (0.261) | (0.311) | (0.361) | — | (6) | | | | | | | | | | | | | | | | | | | | | | | | | | | | | | | | | | | | | | | | | | | | | | | | | | | | | | | | | | | | | | | | | | | | | | | | | | | | | | | | | | | | | | | | | | | | | | | | | | | | | | | | | | | | | | | | | | | | | | | | | | | | | | | | | | | | | | | | | | | | | | | | | | | | | | | | | | | | | | | | | | | | | | | | | | | | | | | | | | | | | | | | | | | | | |
| | GREEN | | (0.362) | (0.612) | (0.662) | — | | | | | | | | | | | | | | | | | | | | | | | | | | | | | | | | | | | | | | | | | | | | | | | | | | | | | | | | | | | | | | | | | | | | | | | | | | | | | | | | | | | | | | | | | | | | | | | | | | | | | | | | | | | | | | | | | | | | | | | | | | | | | | | | | | | | | | | | | | | | | | | | | | | | | | | | | | | | | | | | | | | | | | | | | | | | | | | | | | | | | | | | | | | | | | |
| | BLUE | | (0.305) | (0.355) | (0.405) | — | | | | | | | | | | | | | | | | | | | | | | | | | | | | | | | | | | | | | | | | | | | | | | | | | | | | | | | | | | | | | | | | | | | | | | | | | | | | | | | | | | | | | | | | | | | | | | | | | | | | | | | | | | | | | | | | | | | | | | | | | | | | | | | | | | | | | | | | | | | | | | | | | | | | | | | | | | | | | | | | | | | | | | | | | | | | | | | | | | | | | | | | | | | | | | |
| | | | (0.262) | (0.312) | (0.362) | — | | | | | | | | | | | | | | | | | | | | | | | | | | | | | | | | | | | | | | | | | | | | | | | | | | | | | | | | | | | | | | | | | | | | | | | | | | | | | | | | | | | | | | | | | | | | | | | | | | | | | | | | | | | | | | | | | | | | | | | | | | | | | | | | | | | | | | | | | | | | | | | | | | | | | | | | | | | | | | | | | | | | | | | | | | | | | | | | | | | | | | | | | | | | | | |
| | | | (0.533) | (0.583) | (0.633) | — | | | | | | | | | | | | | | | | | | | | | | | | | | | | | | | | | | | | | | | | | | | | | | | | | | | | | | | | | | | | | | | | | | | | | | | | | | | | | | | | | | | | | | | | | | | | | | | | | | | | | | | | | | | | | | | | | | | | | | | | | | | | | | | | | | | | | | | | | | | | | | | | | | | | | | | | | | | | | | | | | | | | | | | | | | | | | | | | | | | | | | | | | | | | | | |
| | | | (0.090) | (0.140) | (0.190) | — | | | | | | | | | | | | | | | | | | | | | | | | | | | | | | | | | | | | | | | | | | | | | | | | | | | | | | | | | | | | | | | | | | | | | | | | | | | | | | | | | | | | | | | | | | | | | | | | | | | | | | | | | | | | | | | | | | | | | | | | | | | | | | | | | | | | | | | | | | | | | | | | | | | | | | | | | | | | | | | | | | | | | | | | | | | | | | | | | | | | | | | | | | | | | | |
| THE UNIFORMITY OF BRIGHTNESS | — | — | (70) | — | — | % | — | | | | | | | | | | | | | | | | | | | | | | | | | | | | | | | | | | | | | | | | | | | | | | | | | | | | | | | | | | | | | | | | | | | | | | | | | | | | | | | | | | | | | | | | | | | | | | | | | | | | | | | | | | | | | | | | | | | | | | | | | | | | | | | | | | | | | | | | | | | | | | | | | | | | | | | | | | | | | | | | | | | | | | | | | | | | | | | | | | | | | | | | | | | | | |
| ITEM | SYMBOL | CONDITION | MIN. | TYP. | MAX. | UNIT | REMARK | | | | | | | | | | | | | | | | | | | | | | | | | | | | | | | | | | | | | | | | | | | | | | | | | | | | | | | | | | | | | | | | | | | | | | | | | | | | | | | | | | | | | | | | | | | | | | | | | | | | | | | | | | | | | | | | | | | | | | | | | | | | | | | | | | | | | | | | | | | | | | | | | | | | | | | | | | | | | | | | | | | | | | | | | | | | | | | | | | | | | | | | | | | | | |
| VIEWING ANGLE | θ_v | CR ≥ 10 | $\theta_v=0^\circ$ | 50 | 55 | — | deg. (2), (3) | | | | | | | | | | | | | | | | | | | | | | | | | | | | | | | | | | | | | | | | | | | | | | | | | | | | | | | | | | | | | | | | | | | | | | | | | | | | | | | | | | | | | | | | | | | | | | | | | | | | | | | | | | | | | | | | | | | | | | | | | | | | | | | | | | | | | | | | | | | | | | | | | | | | | | | | | | | | | | | | | | | | | | | | | | | | | | | | | | | | | | | | | | | | | |
| | θ_h | | (70) | (75) | — | | | | | | | | | | | | | | | | | | | | | | | | | | | | | | | | | | | | | | | | | | | | | | | | | | | | | | | | | | | | | | | | | | | | | | | | | | | | | | | | | | | | | | | | | | | | | | | | | | | | | | | | | | | | | | | | | | | | | | | | | | | | | | | | | | | | | | | | | | | | | | | | | | | | | | | | | | | | | | | | | | | | | | | | | | | | | | | | | | | | | | | | | | | | | | | |
| | θ_{vh} | | (70) | (75) | — | | | | | | | | | | | | | | | | | | | | | | | | | | | | | | | | | | | | | | | | | | | | | | | | | | | | | | | | | | | | | | | | | | | | | | | | | | | | | | | | | | | | | | | | | | | | | | | | | | | | | | | | | | | | | | | | | | | | | | | | | | | | | | | | | | | | | | | | | | | | | | | | | | | | | | | | | | | | | | | | | | | | | | | | | | | | | | | | | | | | | | | | | | | | | | | |
| CONTRAST RATIO | CR | $\theta_v=0^\circ, \theta_h=0^\circ$ | 300 | 400 | — | (3) | | | | | | | | | | | | | | | | | | | | | | | | | | | | | | | | | | | | | | | | | | | | | | | | | | | | | | | | | | | | | | | | | | | | | | | | | | | | | | | | | | | | | | | | | | | | | | | | | | | | | | | | | | | | | | | | | | | | | | | | | | | | | | | | | | | | | | | | | | | | | | | | | | | | | | | | | | | | | | | | | | | | | | | | | | | | | | | | | | | | | | | | | | | | | | |
| RESPONSE TIME | $t_r(\text{rise})$ | $\theta_v=0^\circ, \theta_h=0^\circ$ | — | 15 | 20 | msec | (4) | | | | | | | | | | | | | | | | | | | | | | | | | | | | | | | | | | | | | | | | | | | | | | | | | | | | | | | | | | | | | | | | | | | | | | | | | | | | | | | | | | | | | | | | | | | | | | | | | | | | | | | | | | | | | | | | | | | | | | | | | | | | | | | | | | | | | | | | | | | | | | | | | | | | | | | | | | | | | | | | | | | | | | | | | | | | | | | | | | | | | | | | | | | | | |
| | $t_f(\text{fall})$ | | — | 35 | 50 | | | | | | | | | | | | | | | | | | | | | | | | | | | | | | | | | | | | | | | | | | | | | | | | | | | | | | | | | | | | | | | | | | | | | | | | | | | | | | | | | | | | | | | | | | | | | | | | | | | | | | | | | | | | | | | | | | | | | | | | | | | | | | | | | | | | | | | | | | | | | | | | | | | | | | | | | | | | | | | | | | | | | | | | | | | | | | | | | | | | | | | | | | | | | | | |
| THE BRIGHTNESS OF MODULE | B | $\theta_v=0^\circ, \theta_h=0^\circ$ IF=20mA | 300 | 400 | — | cd/m ² | (5) | | | | | | | | | | | | | | | | | | | | | | | | | | | | | | | | | | | | | | | | | | | | | | | | | | | | | | | | | | | | | | | | | | | | | | | | | | | | | | | | | | | | | | | | | | | | | | | | | | | | | | | | | | | | | | | | | | | | | | | | | | | | | | | | | | | | | | | | | | | | | | | | | | | | | | | | | | | | | | | | | | | | | | | | | | | | | | | | | | | | | | | | | | | | | |
| | WHITE | | 0.236 | 0.286 | 0.336 | — | | | | | | | | | | | | | | | | | | | | | | | | | | | | | | | | | | | | | | | | | | | | | | | | | | | | | | | | | | | | | | | | | | | | | | | | | | | | | | | | | | | | | | | | | | | | | | | | | | | | | | | | | | | | | | | | | | | | | | | | | | | | | | | | | | | | | | | | | | | | | | | | | | | | | | | | | | | | | | | | | | | | | | | | | | | | | | | | | | | | | | | | | | | | | | |
| COLOR OF CIE COORDINATE | RED | $\theta_v=0^\circ, \theta_h=0^\circ$ IF=20mA NTSC : 60% | 0.261 | 0.311 | 0.361 | — | (6) | | | | | | | | | | | | | | | | | | | | | | | | | | | | | | | | | | | | | | | | | | | | | | | | | | | | | | | | | | | | | | | | | | | | | | | | | | | | | | | | | | | | | | | | | | | | | | | | | | | | | | | | | | | | | | | | | | | | | | | | | | | | | | | | | | | | | | | | | | | | | | | | | | | | | | | | | | | | | | | | | | | | | | | | | | | | | | | | | | | | | | | | | | | | | |
| | GREEN | | 0.362 | 0.612 | 0.662 | — | | | | | | | | | | | | | | | | | | | | | | | | | | | | | | | | | | | | | | | | | | | | | | | | | | | | | | | | | | | | | | | | | | | | | | | | | | | | | | | | | | | | | | | | | | | | | | | | | | | | | | | | | | | | | | | | | | | | | | | | | | | | | | | | | | | | | | | | | | | | | | | | | | | | | | | | | | | | | | | | | | | | | | | | | | | | | | | | | | | | | | | | | | | | | | |
| | BLUE | | 0.305 | 0.355 | 0.405 | — | | | | | | | | | | | | | | | | | | | | | | | | | | | | | | | | | | | | | | | | | | | | | | | | | | | | | | | | | | | | | | | | | | | | | | | | | | | | | | | | | | | | | | | | | | | | | | | | | | | | | | | | | | | | | | | | | | | | | | | | | | | | | | | | | | | | | | | | | | | | | | | | | | | | | | | | | | | | | | | | | | | | | | | | | | | | | | | | | | | | | | | | | | | | | | |
| | | | 0.262 | 0.312 | 0.362 | — | | | | | | | | | | | | | | | | | | | | | | | | | | | | | | | | | | | | | | | | | | | | | | | | | | | | | | | | | | | | | | | | | | | | | | | | | | | | | | | | | | | | | | | | | | | | | | | | | | | | | | | | | | | | | | | | | | | | | | | | | | | | | | | | | | | | | | | | | | | | | | | | | | | | | | | | | | | | | | | | | | | | | | | | | | | | | | | | | | | | | | | | | | | | | | |
| | | | 0.533 | 0.583 | 0.633 | — | | | | | | | | | | | | | | | | | | | | | | | | | | | | | | | | | | | | | | | | | | | | | | | | | | | | | | | | | | | | | | | | | | | | | | | | | | | | | | | | | | | | | | | | | | | | | | | | | | | | | | | | | | | | | | | | | | | | | | | | | | | | | | | | | | | | | | | | | | | | | | | | | | | | | | | | | | | | | | | | | | | | | | | | | | | | | | | | | | | | | | | | | | | | | | |
| | | | 0.090 | 0.140 | 0.190 | — | | | | | | | | | | | | | | | | | | | | | | | | | | | | | | | | | | | | | | | | | | | | | | | | | | | | | | | | | | | | | | | | | | | | | | | | | | | | | | | | | | | | | | | | | | | | | | | | | | | | | | | | | | | | | | | | | | | | | | | | | | | | | | | | | | | | | | | | | | | | | | | | | | | | | | | | | | | | | | | | | | | | | | | | | | | | | | | | | | | | | | | | | | | | | | |
| THE UNIFORMITY OF BRIGHTNESS | — | — | 70 | — | — | % | — | | | | | | | | | | | | | | | | | | | | | | | | | | | | | | | | | | | | | | | | | | | | | | | | | | | | | | | | | | | | | | | | | | | | | | | | | | | | | | | | | | | | | | | | | | | | | | | | | | | | | | | | | | | | | | | | | | | | | | | | | | | | | | | | | | | | | | | | | | | | | | | | | | | | | | | | | | | | | | | | | | | | | | | | | | | | | | | | | | | | | | | | | | | | | |
| | 8 | 6.2 THE TEST METHOD OF BRIGHTNESS AND UNIFORMITY | | | | | | | | | | | | | | | | | | | | | | | | | | | | | | | | | | | | | | | | | | | | | | | | | | | | | | | | | | | | | | | | | | | | | | | | | | | | | | | | | | | | | | | | | | | | | | | | | | | | | | | | | | | | | | | | | | | | | | | | | | | | | | | | | | | | | | | | | | | | | | | | | | | | | | | | | | | | | | | | | | | | | | | | | | | | | | | | | | | | | | | | | | | | | | | | | | |
| | | 6.3 THE CALCULATING METHOD OF UNIFORMITY UNIFORMITY: $\left[1 - \frac{\text{MAXIMUM BRIGHTNESS} - \text{MINIMUM BRIGHTNESS}}{\text{AVERAGE BRIGHTNESS}} \right] \times 100\% \rightarrow$ UNIFORMITY: $\left[1 - \frac{\text{MAXIMUM BRIGHTNESS} - \text{MINIMUM BRIGHTNESS}}{\text{AVERAGE BRIGHTNESS}} \right] \times 100\%$ | | | | | | | | | | | | | | | | | | | | | | | | | | | | | | | | | | | | | | | | | | | | | | | | | | | | | | | | | | | | | | | | | | | | | | | | | | | | | | | | | | | | | | | | | | | | | | | | | | | | | | | | | | | | | | | | | | | | | | | | | | | | | | | | | | | | | | | | | | | | | | | | | | | | | | | | | | | | | | | | | | | | | | | | | | | | | | | | | | | | | | | | | | | | | | | | | | |
| | 9 | 7. OUTLINE DIMENSIONS MARK Δ : ADDING NOTE | | | | | | | | | | | | | | | | | | | | | | | | | | | | | | | | | | | | | | | | | | | | | | | | | | | | | | | | | | | | | | | | | | | | | | | | | | | | | | | | | | | | | | | | | | | | | | | | | | | | | | | | | | | | | | | | | | | | | | | | | | | | | | | | | | | | | | | | | | | | | | | | | | | | | | | | | | | | | | | | | | | | | | | | | | | | | | | | | | | | | | | | | | | | | | | | | | |

| | | |
|---------------------|-------------------|--------------|
| RECORDS OF REVISION | DOC . FIRST ISSUE | SEP.12, 2007 |
|---------------------|-------------------|--------------|

| DATE | REVISED PAGE NO. | SUMMARY | | | | | | | | | | | | | | | | | | | | | | | | | | | | | | | | |
|--------------------------------|--|---|-----------------------|--------|-------------|-------------------|------------------------------|--|------|--|--|-------|--|---------------------|------|------------------------------|---|-------------------|--|---|-----------|----------|------|-------|------|-----------------------|--------------------------------|-------|--|---------------------|------|------|-------------------|-------------------|
| JAN.02, 2008 | 13 | <p>10. INTERFACE SIGNAL</p> <table border="1"> <tr> <th>PIN NO</th> <th>SYMBOL</th> <th>I/O</th> <th>FUNCTION</th> </tr> <tr> <td>36</td> <td>HSYNC</td> <td>I</td> <td>HORIZONTAL SYNC INPUT</td> </tr> <tr> <td>37</td> <td>VSYNC</td> <td>I</td> <td>VERTICAL SYNC INPUT</td> </tr> <tr> <td>38</td> <td>ENB</td> <td>I</td> <td>DATA ENABLE INPUT</td> </tr> </table> <table border="1"> <tr> <th>PIN NO</th> <th>SYMBOL</th> <th>I/O</th> <th>FUNCTION</th> </tr> <tr> <td>36</td> <td>HSYNC</td> <td>I</td> <td>HORIZONTAL SYNC INPUT</td> </tr> <tr> <td>37</td> <td>VSYNC</td> <td>I</td> <td>VERTICAL SYNC INPUT</td> </tr> <tr> <td>38</td> <td>ENB</td> <td>I</td> <td>DATA ENABLE INPUT</td> </tr> </table> | PIN NO | SYMBOL | I/O | FUNCTION | 36 | HSYNC | I | HORIZONTAL SYNC INPUT | 37 | VSYNC | I | VERTICAL SYNC INPUT | 38 | ENB | I | DATA ENABLE INPUT | PIN NO | SYMBOL | I/O | FUNCTION | 36 | HSYNC | I | HORIZONTAL SYNC INPUT | 37 | VSYNC | I | VERTICAL SYNC INPUT | 38 | ENB | I | DATA ENABLE INPUT |
| PIN NO | SYMBOL | I/O | FUNCTION | | | | | | | | | | | | | | | | | | | | | | | | | | | | | | | |
| 36 | HSYNC | I | HORIZONTAL SYNC INPUT | | | | | | | | | | | | | | | | | | | | | | | | | | | | | | | |
| 37 | VSYNC | I | VERTICAL SYNC INPUT | | | | | | | | | | | | | | | | | | | | | | | | | | | | | | | |
| 38 | ENB | I | DATA ENABLE INPUT | | | | | | | | | | | | | | | | | | | | | | | | | | | | | | | |
| PIN NO | SYMBOL | I/O | FUNCTION | | | | | | | | | | | | | | | | | | | | | | | | | | | | | | | |
| 36 | HSYNC | I | HORIZONTAL SYNC INPUT | | | | | | | | | | | | | | | | | | | | | | | | | | | | | | | |
| 37 | VSYNC | I | VERTICAL SYNC INPUT | | | | | | | | | | | | | | | | | | | | | | | | | | | | | | | |
| 38 | ENB | I | DATA ENABLE INPUT | | | | | | | | | | | | | | | | | | | | | | | | | | | | | | | |
| | 14 | <p>11. POWER SUPPLY</p> | | | | | | | | | | | | | | | | | | | | | | | | | | | | | | | | |
| | 15 | <p>12.1 ELECTRICAL CHARACTERISTICS ADD INPUT VOLTAGE DELETE ABSOLUTE MAXIMUM RATINGS</p> | | | | | | | | | | | | | | | | | | | | | | | | | | | | | | | | |
| | 23~27 | <p>12.3.2 MODULE DEFECTS CALSSIFICATION REVISING THE ENTIRE PAGE</p> | | | | | | | | | | | | | | | | | | | | | | | | | | | | | | | | |
| | 28 | <p>13.4.1 STANDARD SPECIFICATIONS FOR RELIABILITY OF LCD MODULE NO.5 : ADD STORAGE</p> <table border="1"> <tr> <th>NO</th> <th>ITEM</th> <th>DESCRIPTION</th> </tr> <tr> <td>6</td> <td>THERMAL SHOCK (NOT OPERATED)</td> <td>THE SAMPLE SHOULD BE ALLOWED TO STAND THE FOLLOWING 200 CYCLES OF OPERATION: 25°C FOR 30 MINUTES → +70°C FOR 30 MINUTES</td> </tr> <tr> <td>7</td> <td>ESD (ELECTROSTATIC DISCHARGE) (NOT OPERATED)</td> <td>AIR DISCHARGE ± 4KV CONTACT DISCHARGE ± 2KV</td> </tr> </table> <table border="1"> <tr> <th>NO</th> <th>ITEM</th> <th>DESCRIPTION</th> </tr> <tr> <td>6</td> <td>THERMAL SHOCK (NOT OPERATED)</td> <td>THE SAMPLE SHOULD BE ALLOWED TO STAND THE FOLLOWING 25 CYCLES OF OPERATION: 20°C FOR 60 MINUTES → +70°C FOR 60 MINUTES</td> </tr> <tr> <td>7</td> <td>ESD (ELECTROSTATIC DISCHARGE) (NOT OPERATED)</td> <td>AIR DISCHARGE ± 12KV CONTACT DISCHARGE ± 8KV</td> </tr> </table> | NO | ITEM | DESCRIPTION | 6 | THERMAL SHOCK (NOT OPERATED) | THE SAMPLE SHOULD BE ALLOWED TO STAND THE FOLLOWING 200 CYCLES OF OPERATION: 25°C FOR 30 MINUTES → +70°C FOR 30 MINUTES | 7 | ESD (ELECTROSTATIC DISCHARGE) (NOT OPERATED) | AIR DISCHARGE ± 4KV CONTACT DISCHARGE ± 2KV | NO | ITEM | DESCRIPTION | 6 | THERMAL SHOCK (NOT OPERATED) | THE SAMPLE SHOULD BE ALLOWED TO STAND THE FOLLOWING 25 CYCLES OF OPERATION: 20°C FOR 60 MINUTES → +70°C FOR 60 MINUTES | 7 | ESD (ELECTROSTATIC DISCHARGE) (NOT OPERATED) | AIR DISCHARGE ± 12KV CONTACT DISCHARGE ± 8KV | | | | | | | | | | | | | | |
| NO | ITEM | DESCRIPTION | | | | | | | | | | | | | | | | | | | | | | | | | | | | | | | | |
| 6 | THERMAL SHOCK (NOT OPERATED) | THE SAMPLE SHOULD BE ALLOWED TO STAND THE FOLLOWING 200 CYCLES OF OPERATION: 25°C FOR 30 MINUTES → +70°C FOR 30 MINUTES | | | | | | | | | | | | | | | | | | | | | | | | | | | | | | | | |
| 7 | ESD (ELECTROSTATIC DISCHARGE) (NOT OPERATED) | AIR DISCHARGE ± 4KV CONTACT DISCHARGE ± 2KV | | | | | | | | | | | | | | | | | | | | | | | | | | | | | | | | |
| NO | ITEM | DESCRIPTION | | | | | | | | | | | | | | | | | | | | | | | | | | | | | | | | |
| 6 | THERMAL SHOCK (NOT OPERATED) | THE SAMPLE SHOULD BE ALLOWED TO STAND THE FOLLOWING 25 CYCLES OF OPERATION: 20°C FOR 60 MINUTES → +70°C FOR 60 MINUTES | | | | | | | | | | | | | | | | | | | | | | | | | | | | | | | | |
| 7 | ESD (ELECTROSTATIC DISCHARGE) (NOT OPERATED) | AIR DISCHARGE ± 12KV CONTACT DISCHARGE ± 8KV | | | | | | | | | | | | | | | | | | | | | | | | | | | | | | | | |
| | 30 | <p>ADD 13.6.5 NOT ALLOWED TO INFLICT ANY EXTERNAL STRESS AND TO CAUSE ANY MECHANICAL INTERFERENCE ON THE BENDING AREA OF FPC DURING THE TAIL BENDING BACKWARDS!</p> | | | | | | | | | | | | | | | | | | | | | | | | | | | | | | | | |
| JUL.09,2008 | 3 | <p>4 . ELECTRICAL CHARACTERISTICS</p> <table border="1"> <tr> <th>PARAMETER</th> <th>SYMBOL</th> <th>CONDITION</th> <th>MIN.</th> <th>TYP.</th> <th>MAX.</th> <th>UNIT</th> <th>REMARK</th> </tr> <tr> <td>LED BACKLIGHT FORWARD VOLTAGE</td> <td>V_f</td> <td>$I_f=20mA$</td> <td>19.2</td> <td>20.4</td> <td>21.6</td> <td>V</td> <td>NOET(1)</td> </tr> </table> <table border="1"> <tr> <th>PARAMETER</th> <th>SYMBOL</th> <th>CONDITION</th> <th>MIN.</th> <th>TYP.</th> <th>MAX.</th> <th>UNIT</th> <th>REMARK</th> </tr> <tr> <td>POWER SUPPLY FOR LED BACKLIGHT</td> <td>V_i</td> <td>$I_f=20mA$</td> <td>18</td> <td>19.8</td> <td>21.6</td> <td>V</td> <td>NOET(1)</td> </tr> </table> | PARAMETER | SYMBOL | CONDITION | MIN. | TYP. | MAX. | UNIT | REMARK | LED BACKLIGHT FORWARD VOLTAGE | V_f | $I_f=20mA$ | 19.2 | 20.4 | 21.6 | V | NOET(1) | PARAMETER | SYMBOL | CONDITION | MIN. | TYP. | MAX. | UNIT | REMARK | POWER SUPPLY FOR LED BACKLIGHT | V_i | $I_f=20mA$ | 18 | 19.8 | 21.6 | V | NOET(1) |
| PARAMETER | SYMBOL | CONDITION | MIN. | TYP. | MAX. | UNIT | REMARK | | | | | | | | | | | | | | | | | | | | | | | | | | | |
| LED BACKLIGHT FORWARD VOLTAGE | V_f | $I_f=20mA$ | 19.2 | 20.4 | 21.6 | V | NOET(1) | | | | | | | | | | | | | | | | | | | | | | | | | | | |
| PARAMETER | SYMBOL | CONDITION | MIN. | TYP. | MAX. | UNIT | REMARK | | | | | | | | | | | | | | | | | | | | | | | | | | | |
| POWER SUPPLY FOR LED BACKLIGHT | V_i | $I_f=20mA$ | 18 | 19.8 | 21.6 | V | NOET(1) | | | | | | | | | | | | | | | | | | | | | | | | | | | |
| | 7 | <p>6.1 OPTICAL CHARACTERISTICS</p> <table border="1"> <tr> <th>ITEM</th> <th>SYMBOL</th> <th>CONDITION</th> <th>MIN.</th> <th>TYP.</th> <th>MAX.</th> <th>UNIT</th> <th>REMARK</th> </tr> <tr> <td>THE BRIGHTNESS OF MODULE</td> <td>B</td> <td>$\theta_v=0^\circ \sim \theta_v=0^\circ$ $I_f=20mA$</td> <td>300</td> <td>400</td> <td>—</td> <td>cd/m²</td> <td>(5)</td> </tr> </table> <table border="1"> <tr> <th>ITEM</th> <th>SYMBOL</th> <th>CONDITION</th> <th>MIN.</th> <th>TYP.</th> <th>MAX.</th> <th>UNIT</th> <th>REMARK</th> </tr> <tr> <td>THE BRIGHTNESS OF MODULE</td> <td>B</td> <td>$\theta_v=0^\circ \sim \theta_v=0^\circ$ $I_f=20mA$</td> <td>300</td> <td>350</td> <td>—</td> <td>cd/m²</td> <td>(5)</td> </tr> </table> <p>NOTE (1) : VIEWING ANGLE OF 2° → VIEWING ANGLE OF 1° Field of View = 2° → Field of View =1°</p> | ITEM | SYMBOL | CONDITION | MIN. | TYP. | MAX. | UNIT | REMARK | THE BRIGHTNESS OF MODULE | B | $\theta_v=0^\circ \sim \theta_v=0^\circ$ $I_f=20mA$ | 300 | 400 | — | cd/m ² | (5) | ITEM | SYMBOL | CONDITION | MIN. | TYP. | MAX. | UNIT | REMARK | THE BRIGHTNESS OF MODULE | B | $\theta_v=0^\circ \sim \theta_v=0^\circ$ $I_f=20mA$ | 300 | 350 | — | cd/m ² | (5) |
| ITEM | SYMBOL | CONDITION | MIN. | TYP. | MAX. | UNIT | REMARK | | | | | | | | | | | | | | | | | | | | | | | | | | | |
| THE BRIGHTNESS OF MODULE | B | $\theta_v=0^\circ \sim \theta_v=0^\circ$ $I_f=20mA$ | 300 | 400 | — | cd/m ² | (5) | | | | | | | | | | | | | | | | | | | | | | | | | | | |
| ITEM | SYMBOL | CONDITION | MIN. | TYP. | MAX. | UNIT | REMARK | | | | | | | | | | | | | | | | | | | | | | | | | | | |
| THE BRIGHTNESS OF MODULE | B | $\theta_v=0^\circ \sim \theta_v=0^\circ$ $I_f=20mA$ | 300 | 350 | — | cd/m ² | (5) | | | | | | | | | | | | | | | | | | | | | | | | | | | |
| | 9 | <p>7 . OUTLINE DIMENSIONS MARK △ : ADDING TEXT AND NOTE.</p> | | | | | | | | | | | | | | | | | | | | | | | | | | | | | | | | |

| | | |
|---------------------|-------------------|--------------|
| RECORDS OF REVISION | DOC . FIRST ISSUE | SEP.12, 2007 |
|---------------------|-------------------|--------------|

| DATE | REVISED PAGE NO. | SUMMARY | | | | | | | | | | | | | | | | | | | | | | | | | | | | | | | | | | | | | | | | | | |
|--|------------------|---|---|-----------|-----------|----------------|---------------|------|--|--------|-------------------------|-------|------|---|-----------------|--------|-------|------|------|------|--|-------|-------|------|--------|-----------|------|------|------|------|--------|-------------------------|-------|----|---|------|------|------|---|-----|----|------|------|------|
| JUL.09,2008 | 10 | 8. BLOCK DIMENSION  | | | | | | | | | | | | | | | | | | | | | | | | | | | | | | | | | | | | | | | | | | |
| | 21 | 13.2.4 INSPECTION METHOD (b)AQL : Major defect : AQL 0.65% → AQL 0.65 Minor defect : AQL 1.0% → AQL 1.0 | | | | | | | | | | | | | | | | | | | | | | | | | | | | | | | | | | | | | | | | | | |
| NOV.21, 2008 | 7 | 6.1 OPTICAL CHARACTERISTICS <table border="1"> <thead> <tr> <th>ITEM</th> <th>SYMBOL</th> <th>CONDITION</th> <th>MIN.</th> <th>TYP.</th> <th>MAX.</th> <th>UNIT</th> <th>REMARK</th> </tr> </thead> <tbody> <tr> <td rowspan="2">COLOR OF CIE COORDINATE</td> <td rowspan="2">WHITE</td> <td>Wx</td> <td rowspan="2">$\theta_x=0^\circ, \theta_y=0^\circ$ IF=20mA NTSC : 60%</td> <td>0.236</td> <td>0.286</td> <td>0.336</td> <td rowspan="2">—</td> <td rowspan="2">(6)</td> </tr> <tr> <td>Wy</td> <td>0.261</td> <td>0.311</td> <td>0.361</td> </tr> </tbody> </table> <p style="text-align: center;">↓</p> <table border="1"> <thead> <tr> <th>ITEM</th> <th>SYMBOL</th> <th>CONDITION</th> <th>MIN.</th> <th>TYP.</th> <th>MAX.</th> <th>UNIT</th> <th>REMARK</th> </tr> </thead> <tbody> <tr> <td rowspan="2">COLOR OF CIE COORDINATE</td> <td rowspan="2">WHITE</td> <td>Wx</td> <td rowspan="2">$\theta_x=0^\circ, \theta_y=0^\circ$ IF=20mA NTSC : 60%</td> <td>0.26</td> <td>0.31</td> <td>0.36</td> <td rowspan="2">—</td> <td rowspan="2">(6)</td> </tr> <tr> <td>Wy</td> <td>0.26</td> <td>0.31</td> <td>0.36</td> </tr> </tbody> </table> | ITEM | SYMBOL | CONDITION | MIN. | TYP. | MAX. | UNIT | REMARK | COLOR OF CIE COORDINATE | WHITE | Wx | $\theta_x=0^\circ, \theta_y=0^\circ$ IF=20mA NTSC : 60% | 0.236 | 0.286 | 0.336 | — | (6) | Wy | 0.261 | 0.311 | 0.361 | ITEM | SYMBOL | CONDITION | MIN. | TYP. | MAX. | UNIT | REMARK | COLOR OF CIE COORDINATE | WHITE | Wx | $\theta_x=0^\circ, \theta_y=0^\circ$ IF=20mA NTSC : 60% | 0.26 | 0.31 | 0.36 | — | (6) | Wy | 0.26 | 0.31 | 0.36 |
| | | ITEM | SYMBOL | CONDITION | MIN. | TYP. | MAX. | UNIT | REMARK | | | | | | | | | | | | | | | | | | | | | | | | | | | | | | | | | | | |
| COLOR OF CIE COORDINATE | WHITE | Wx | $\theta_x=0^\circ, \theta_y=0^\circ$ IF=20mA NTSC : 60% | 0.236 | 0.286 | 0.336 | — | (6) | | | | | | | | | | | | | | | | | | | | | | | | | | | | | | | | | | | | |
| | | Wy | | 0.261 | 0.311 | 0.361 | | | | | | | | | | | | | | | | | | | | | | | | | | | | | | | | | | | | | | |
| ITEM | SYMBOL | CONDITION | MIN. | TYP. | MAX. | UNIT | REMARK | | | | | | | | | | | | | | | | | | | | | | | | | | | | | | | | | | | | | |
| COLOR OF CIE COORDINATE | WHITE | Wx | $\theta_x=0^\circ, \theta_y=0^\circ$ IF=20mA NTSC : 60% | 0.26 | 0.31 | 0.36 | — | (6) | | | | | | | | | | | | | | | | | | | | | | | | | | | | | | | | | | | | |
| | | Wy | | 0.26 | 0.31 | 0.36 | | | | | | | | | | | | | | | | | | | | | | | | | | | | | | | | | | | | | | |
| OCT.07, 2010 | 4 | 5.1 PIXEL TIMING <table border="1"> <thead> <tr> <th>CHARACTERISTICS</th> <th>SYMBOL</th> <th>MIN.</th> <th>TYP.</th> <th>MAX.</th> <th>UNIT</th> </tr> </thead> <tbody> <tr> <td>PHASE DIFFERENCE OF SYNC SIGNAL FALLING EDGE</td> <td>thv</td> <td>1</td> <td>—</td> <td>240</td> <td>tDOTCLK</td> </tr> </tbody> </table> <p style="text-align: center;">↓</p> <table border="1"> <thead> <tr> <th>CHARACTERISTICS</th> <th>SYMBOL</th> <th>MIN.</th> <th>TYP.</th> <th>MAX.</th> <th>UNIT</th> </tr> </thead> <tbody> <tr> <td>PHASE DIFFERENCE OF SYNC SIGNAL FALLING EDGE</td> <td>thv</td> <td>-4</td> <td>—</td> <td>+4</td> <td>tDOTCLK</td> </tr> </tbody> </table> | CHARACTERISTICS | SYMBOL | MIN. | TYP. | MAX. | UNIT | PHASE DIFFERENCE OF SYNC SIGNAL FALLING EDGE | thv | 1 | — | 240 | tDOTCLK | CHARACTERISTICS | SYMBOL | MIN. | TYP. | MAX. | UNIT | PHASE DIFFERENCE OF SYNC SIGNAL FALLING EDGE | thv | -4 | — | +4 | tDOTCLK | | | | | | | | | | | | | | | | | | |
| | | CHARACTERISTICS | SYMBOL | MIN. | TYP. | MAX. | UNIT | | | | | | | | | | | | | | | | | | | | | | | | | | | | | | | | | | | | | |
| PHASE DIFFERENCE OF SYNC SIGNAL FALLING EDGE | thv | 1 | — | 240 | tDOTCLK | | | | | | | | | | | | | | | | | | | | | | | | | | | | | | | | | | | | | | | |
| CHARACTERISTICS | SYMBOL | MIN. | TYP. | MAX. | UNIT | | | | | | | | | | | | | | | | | | | | | | | | | | | | | | | | | | | | | | | |
| PHASE DIFFERENCE OF SYNC SIGNAL FALLING EDGE | thv | -4 | — | +4 | tDOTCLK | | | | | | | | | | | | | | | | | | | | | | | | | | | | | | | | | | | | | | | |
| JAN.21, 2025 | 6 | Parallel RGB Interface (DE Mode)  HORIZONTAL FREQUENCY (LINE) : (TYP.) 14.9→15.72 | | | | | | | | | | | | | | | | | | | | | | | | | | | | | | | | | | | | | | | | | | |
| | | 1 | 1.1 APPLICATION NOTES FOR CONTROLLER/DRIVER PLEASE REFER TO : HX8238-A →HX8238-D | | | | | | | | | | | | | | | | | | | | | | | | | | | | | | | | | | | | | | | | | |
| JAN.21, 2025 | 2 | 3.1 ELECTRICAL ABSOLUTE MAXIMUM RATINGS <table border="1"> <thead> <tr> <th>PARAMETER</th> <th>MAX.</th> <th>ITEM</th> <th>MAX.</th> </tr> </thead> <tbody> <tr> <td>POWER VOLTAGE</td> <td>5.0</td> <td>POWER VOLTAGE</td> <td>3.96</td> </tr> </tbody> </table> | PARAMETER | MAX. | ITEM | MAX. | POWER VOLTAGE | 5.0 | POWER VOLTAGE | 3.96 | | | | | | | | | | | | | | | | | | | | | | | | | | | | | | | | | | |
| | | PARAMETER | MAX. | ITEM | MAX. | | | | | | | | | | | | | | | | | | | | | | | | | | | | | | | | | | | | | | | |
| POWER VOLTAGE | 5.0 | POWER VOLTAGE | 3.96 | | | | | | | | | | | | | | | | | | | | | | | | | | | | | | | | | | | | | | | | | |
| JAN.21, 2025 | 6 | 5.2 PARALLEL RGB INTERFACE (SYNC MODE) <table border="1"> <thead> <tr> <th>CHARACTERISTICS</th> <th>MIN.</th> <th>MAX.</th> </tr> </thead> <tbody> <tr> <td rowspan="2">VERTICAL CYCLE</td> <td>NTSC</td> <td>—</td> </tr> <tr> <td>PAL</td> <td>—</td> </tr> </tbody> </table> <p style="text-align: center;">↓</p> <table border="1"> <thead> <tr> <th>CHARACTERISTICS</th> <th>MIN.</th> <th>MAX.</th> </tr> </thead> <tbody> <tr> <td rowspan="2">VERTICAL CYCLE</td> <td>NTSC</td> <td>250</td> </tr> <tr> <td>PAL</td> <td>300</td> </tr> </tbody> </table> | CHARACTERISTICS | MIN. | MAX. | VERTICAL CYCLE | NTSC | — | PAL | — | CHARACTERISTICS | MIN. | MAX. | VERTICAL CYCLE | NTSC | 250 | PAL | 300 | | | | | | | | | | | | | | | | | | | | | | | | | | |
| | | CHARACTERISTICS | MIN. | MAX. | | | | | | | | | | | | | | | | | | | | | | | | | | | | | | | | | | | | | | | | |
| VERTICAL CYCLE | NTSC | — | | | | | | | | | | | | | | | | | | | | | | | | | | | | | | | | | | | | | | | | | | |
| | PAL | — | | | | | | | | | | | | | | | | | | | | | | | | | | | | | | | | | | | | | | | | | | |
| CHARACTERISTICS | MIN. | MAX. | | | | | | | | | | | | | | | | | | | | | | | | | | | | | | | | | | | | | | | | | | |
| VERTICAL CYCLE | NTSC | 250 | | | | | | | | | | | | | | | | | | | | | | | | | | | | | | | | | | | | | | | | | | |
| | PAL | 300 | | | | | | | | | | | | | | | | | | | | | | | | | | | | | | | | | | | | | | | | | | |

| | | |
|---------------------|-------------------|--------------|
| RECORDS OF REVISION | DOC . FIRST ISSUE | SEP.12, 2007 |
|---------------------|-------------------|--------------|

| DATE | REVISED PAGE NO. | SUMMARY | | | | | | | | | | | | | | | | | | | | | | | | | | | | | | | | | | | | | | | | | | | | | | | | | | | | | | | | | | | | | | | | | | | | | | | | | | | | | | | | | | | | | | |
|-------------------------|------------------|---|--------|--------|-----------|------|------|------|-------------------------|-------|----|------|------|------|----|------|------|------|-----|----|------|------|------|----|------|------|------|-------|----|------|------|------|----|------|-----|------|------|----|------|------|------|----|------|------|------|------|--------|-----------|------|------|------|-------------------------|-------|----|--------|--------|--------|----|--------|--------|--------|-----|----|--------|--------|--------|----|--------|--------|--------|-------|----|--------|--------|--------|----|--------|--------|--------|------|----|--------|--------|--------|----|--------|--------|--------|
| JAN.21, 2025 | 7 | 6.1 OPTICAL CHARACTERISTICS (NOTE1) | | | | | | | | | | | | | | | | | | | | | | | | | | | | | | | | | | | | | | | | | | | | | | | | | | | | | | | | | | | | | | | | | | | | | | | | | | | | | | | | | | | | | | |
| | | <table border="1"> <thead> <tr> <th>ITEM</th> <th>SYMBOL</th> <th>CONDITION</th> <th>MIN.</th> <th>TYP.</th> <th>MAX.</th> </tr> </thead> <tbody> <tr> <td rowspan="8">COLOR OF CIE COORDINATE</td> <td rowspan="2">WHITE</td> <td>Wx</td> <td>0.27</td> <td>0.32</td> <td>0.37</td> </tr> <tr> <td>Wy</td> <td>0.29</td> <td>0.34</td> <td>0.39</td> </tr> <tr> <td rowspan="2">RED</td> <td>Rx</td> <td>0.58</td> <td>0.63</td> <td>0.68</td> </tr> <tr> <td>Ry</td> <td>0.31</td> <td>0.36</td> <td>0.41</td> </tr> <tr> <td rowspan="2">GREEN</td> <td>Gx</td> <td>0.29</td> <td>0.34</td> <td>0.39</td> </tr> <tr> <td>Gy</td> <td>0.55</td> <td>0.6</td> <td>0.65</td> </tr> <tr> <td rowspan="2">BLUE</td> <td>Bx</td> <td>0.09</td> <td>0.14</td> <td>0.19</td> </tr> <tr> <td>By</td> <td>0.05</td> <td>0.10</td> <td>0.15</td> </tr> </tbody> </table> <p style="text-align: center;">↓</p> <table border="1"> <thead> <tr> <th>ITEM</th> <th>SYMBOL</th> <th>CONDITION</th> <th>MIN.</th> <th>TYP.</th> <th>MAX.</th> </tr> </thead> <tbody> <tr> <td rowspan="8">COLOR OF CIE COORDINATE</td> <td rowspan="2">WHITE</td> <td>Wx</td> <td>(0.25)</td> <td>(0.30)</td> <td>(0.35)</td> </tr> <tr> <td>Wy</td> <td>(0.27)</td> <td>(0.32)</td> <td>(0.37)</td> </tr> <tr> <td rowspan="2">RED</td> <td>Rx</td> <td>(0.57)</td> <td>(0.62)</td> <td>(0.67)</td> </tr> <tr> <td>Ry</td> <td>(0.31)</td> <td>(0.36)</td> <td>(0.41)</td> </tr> <tr> <td rowspan="2">GREEN</td> <td>Gx</td> <td>(0.30)</td> <td>(0.35)</td> <td>(0.40)</td> </tr> <tr> <td>Gy</td> <td>(0.56)</td> <td>(0.61)</td> <td>(0.66)</td> </tr> <tr> <td rowspan="2">BLUE</td> <td>Bx</td> <td>(0.11)</td> <td>(0.16)</td> <td>(0.21)</td> </tr> <tr> <td>By</td> <td>(0.04)</td> <td>(0.09)</td> <td>(0.14)</td> </tr> </tbody> </table> | ITEM | SYMBOL | CONDITION | MIN. | TYP. | MAX. | COLOR OF CIE COORDINATE | WHITE | Wx | 0.27 | 0.32 | 0.37 | Wy | 0.29 | 0.34 | 0.39 | RED | Rx | 0.58 | 0.63 | 0.68 | Ry | 0.31 | 0.36 | 0.41 | GREEN | Gx | 0.29 | 0.34 | 0.39 | Gy | 0.55 | 0.6 | 0.65 | BLUE | Bx | 0.09 | 0.14 | 0.19 | By | 0.05 | 0.10 | 0.15 | ITEM | SYMBOL | CONDITION | MIN. | TYP. | MAX. | COLOR OF CIE COORDINATE | WHITE | Wx | (0.25) | (0.30) | (0.35) | Wy | (0.27) | (0.32) | (0.37) | RED | Rx | (0.57) | (0.62) | (0.67) | Ry | (0.31) | (0.36) | (0.41) | GREEN | Gx | (0.30) | (0.35) | (0.40) | Gy | (0.56) | (0.61) | (0.66) | BLUE | Bx | (0.11) | (0.16) | (0.21) | By | (0.04) | (0.09) | (0.14) |
| ITEM | SYMBOL | CONDITION | MIN. | TYP. | MAX. | | | | | | | | | | | | | | | | | | | | | | | | | | | | | | | | | | | | | | | | | | | | | | | | | | | | | | | | | | | | | | | | | | | | | | | | | | | | | | | | | | | |
| COLOR OF CIE COORDINATE | WHITE | Wx | 0.27 | 0.32 | 0.37 | | | | | | | | | | | | | | | | | | | | | | | | | | | | | | | | | | | | | | | | | | | | | | | | | | | | | | | | | | | | | | | | | | | | | | | | | | | | | | | | | | | |
| | | Wy | 0.29 | 0.34 | 0.39 | | | | | | | | | | | | | | | | | | | | | | | | | | | | | | | | | | | | | | | | | | | | | | | | | | | | | | | | | | | | | | | | | | | | | | | | | | | | | | | | | | | |
| | RED | Rx | 0.58 | 0.63 | 0.68 | | | | | | | | | | | | | | | | | | | | | | | | | | | | | | | | | | | | | | | | | | | | | | | | | | | | | | | | | | | | | | | | | | | | | | | | | | | | | | | | | | | |
| | | Ry | 0.31 | 0.36 | 0.41 | | | | | | | | | | | | | | | | | | | | | | | | | | | | | | | | | | | | | | | | | | | | | | | | | | | | | | | | | | | | | | | | | | | | | | | | | | | | | | | | | | | |
| | GREEN | Gx | 0.29 | 0.34 | 0.39 | | | | | | | | | | | | | | | | | | | | | | | | | | | | | | | | | | | | | | | | | | | | | | | | | | | | | | | | | | | | | | | | | | | | | | | | | | | | | | | | | | | |
| | | Gy | 0.55 | 0.6 | 0.65 | | | | | | | | | | | | | | | | | | | | | | | | | | | | | | | | | | | | | | | | | | | | | | | | | | | | | | | | | | | | | | | | | | | | | | | | | | | | | | | | | | | |
| | BLUE | Bx | 0.09 | 0.14 | 0.19 | | | | | | | | | | | | | | | | | | | | | | | | | | | | | | | | | | | | | | | | | | | | | | | | | | | | | | | | | | | | | | | | | | | | | | | | | | | | | | | | | | | |
| | | By | 0.05 | 0.10 | 0.15 | | | | | | | | | | | | | | | | | | | | | | | | | | | | | | | | | | | | | | | | | | | | | | | | | | | | | | | | | | | | | | | | | | | | | | | | | | | | | | | | | | | |
| ITEM | SYMBOL | CONDITION | MIN. | TYP. | MAX. | | | | | | | | | | | | | | | | | | | | | | | | | | | | | | | | | | | | | | | | | | | | | | | | | | | | | | | | | | | | | | | | | | | | | | | | | | | | | | | | | | | |
| COLOR OF CIE COORDINATE | WHITE | Wx | (0.25) | (0.30) | (0.35) | | | | | | | | | | | | | | | | | | | | | | | | | | | | | | | | | | | | | | | | | | | | | | | | | | | | | | | | | | | | | | | | | | | | | | | | | | | | | | | | | | | |
| | | Wy | (0.27) | (0.32) | (0.37) | | | | | | | | | | | | | | | | | | | | | | | | | | | | | | | | | | | | | | | | | | | | | | | | | | | | | | | | | | | | | | | | | | | | | | | | | | | | | | | | | | | |
| | RED | Rx | (0.57) | (0.62) | (0.67) | | | | | | | | | | | | | | | | | | | | | | | | | | | | | | | | | | | | | | | | | | | | | | | | | | | | | | | | | | | | | | | | | | | | | | | | | | | | | | | | | | | |
| | | Ry | (0.31) | (0.36) | (0.41) | | | | | | | | | | | | | | | | | | | | | | | | | | | | | | | | | | | | | | | | | | | | | | | | | | | | | | | | | | | | | | | | | | | | | | | | | | | | | | | | | | | |
| | GREEN | Gx | (0.30) | (0.35) | (0.40) | | | | | | | | | | | | | | | | | | | | | | | | | | | | | | | | | | | | | | | | | | | | | | | | | | | | | | | | | | | | | | | | | | | | | | | | | | | | | | | | | | | |
| | | Gy | (0.56) | (0.61) | (0.66) | | | | | | | | | | | | | | | | | | | | | | | | | | | | | | | | | | | | | | | | | | | | | | | | | | | | | | | | | | | | | | | | | | | | | | | | | | | | | | | | | | | |
| | BLUE | Bx | (0.11) | (0.16) | (0.21) | | | | | | | | | | | | | | | | | | | | | | | | | | | | | | | | | | | | | | | | | | | | | | | | | | | | | | | | | | | | | | | | | | | | | | | | | | | | | | | | | | | |
| | | By | (0.04) | (0.09) | (0.14) | | | | | | | | | | | | | | | | | | | | | | | | | | | | | | | | | | | | | | | | | | | | | | | | | | | | | | | | | | | | | | | | | | | | | | | | | | | | | | | | | | | |
| | 10 | 8. BLOCK DIMENSION HX8238-A→HX8238-D | | | | | | | | | | | | | | | | | | | | | | | | | | | | | | | | | | | | | | | | | | | | | | | | | | | | | | | | | | | | | | | | | | | | | | | | | | | | | | | | | | | | | | |

CONFIDENTIAL
 Authorized for
 Emerging Display Technologies Corporation
 Do not distribute without authorization

TABLE OF CONTENTS

| NO. | ITEM | PAGE |
|-----|------------------------------------|---------|
| 1. | GENERAL SPECIFICATIONS ----- | 1 |
| 2. | MECHANICAL SPECIFICATIONS ----- | 1 |
| 3. | ABSOLUTE MAXIMUM RATINGS ----- | 2 |
| 4. | ELECTRICAL CHARACTERISTICS ----- | 3 |
| 5. | TIMING CHART ----- | 4 ~ 6 |
| 6. | OPTICAL CHARACTERISTICS ----- | 7, 8 |
| 7. | OUTLINE DIMENSIONS ----- | 9 |
| 8. | BLOCK DIMENSIONS ----- | 10 |
| 9. | DETAIL DRAWING OF DOT MATRIX ----- | 11 |
| 10. | INTERFACE SIGNAL ----- | 12, 13 |
| 11. | POWER SUPPLY ----- | 14 |
| 12. | TOUCH PANEL SPECIFICATION ----- | 15 ~ 20 |
| 12. | INSPECTION CRITERION ----- | 21 ~ 30 |

CONFIDENTIAL
Authorized for
Emerging Display Technologies Corporation Only.
Do not distribute without authorization.

1. GENERAL SPECIFICATIONS

1.1 APPLICATION NOTES FOR CONTROLLER/DRIVER
PLEASE REFER TO :

HX8238-D

1.2 MATERIAL SAFETY DESCRIPTION

ASSEMBLIES SHALL COMPLY WITH EUROPEAN ROHS REQUIREMENTS, INCLUDING PROHIBITED MATERIALS/COMPONENTS CONTAINING LEAD, MERCURY, CADMIUM, HEXAVALENT CHROMIUM, POLYBROMINATED BIPHENYLS (PBB) AND POLYBROMINATED DIPHENYL ETHERS (PBDE)

2. MECHANICAL SPECIFICATIONS

| | | |
|------------------------|-------|---|
| (1) DIAGONALS | ----- | 3.5 inch |
| (2) NUMBER OF DOTS | ----- | 320W * (RGB) * 240H DOTS |
| (3) MODULE SIZE | ----- | 76.8W * 63.8H * 4.4(D) mm (WITHOUT FPC) |
| (4) EFFECTIVE AREA | ----- | 72.2W*54.76H mm (T/P) |
| (5) ACTIVE AREA | ----- | 70.08W * 52.56H mm (LCD) 70.8W * 53.26H mm (T/P) |
| (6) DOT SIZE | ----- | 0.073W * 0.219H mm |
| (7) PIXEL SIZE | ----- | 0.219W * 0.219H mm |
| (8) LCD TYPE | ----- | TFT , TRANSMISSIVE |
| (9) COLOR | ----- | 262K |
| (10) VIEWING DIRECTION | ----- | 6 O'CLOCK |
| (11) BACK LIGHT | ----- | LED , COLOR : WHITE |
| (12) INTERFACE MODE | ----- | RGB 24 BIT, PARALLEL (DE/SYNC MODE) |

3. ABSOLUTE MAXIMUM RATINGS

3.1 ELECTRICAL ABSOLUTE MAXIMUM RATINGS.

| ITEM | SYMBOL | MIN. | MAX. | UNIT | REMARK |
|-------------------------------|--------|---------|------|------|--------|
| POWER VOLTAGE | VDD | VSS-0.3 | 3.96 | V | — |
| | VCC | -0.3 | 4.0 | V | — |
| LED BACKLIGHT DISSIPATION | PD | — | 540 | mW | — |
| LED BACKLIGHT CURRENT | IF | — | 25 | mA | — |
| LED BACKLIGHT REVERSE VOLTAGE | VR | — | 30 | V | — |

3.2 ENVIRONMENTAL ABSOLUTE MAXIMUM RATINGS.

| ITEM | OPERATING | | STORAGE | | REMARK |
|---------------------|----------------|-----------------------------------|----------------|-----------------------------------|--|
| | MIN. | MAX. | MIN. | MAX. | |
| AMBIENT TEMPERATURE | -10°C | 60°C | -20°C | 70°C | NOTE (1), (2) |
| HUMIDITY | NOTE (3) | | NOTE (3) | | WITHOUT CONDENSATION |
| VIBRATION | — | 2.45m/s ² (0.25G) | — | 11.76m/s ² (1.2G) | 5~20Hz , 1HR 20~500Hz(20Hz) , 1HR 20~500Hz(500Hz) , 1HR X,Y,Z,TOTAL 3HR |
| SHOCK | — | 29.4m/s ² (3G) | — | 490m/s ² (50G) | 10 m SECONDS XYZ DIRECTIONS 1 TIME EACH |
| CORROSIVE GAS | NOT ACCEPTABLE | | NOT ACCEPTABLE | | |

NOTE (1) : Ta AT -20°C : 48HR MAX .
70°C : 168HR MAX .

NOTE (2) : BACKGROUND COLOR CHANGES SLIGHTLY DEPENDING ON AMBIENT TEMPERATURE THIS PHENOMENON IS REVERSIBLE .

NOTE (3) : Ta ≤ 60°C : 90%RH MAX (96HRS MAX).

Ta > 60°C : ABSOLUTE HUMIDITY MUST BE LOWER THAN THE HUMIDITY OF 90%RH AT 60°C(96HRS MAX).

4. ELECTRICAL CHARACTERISTICS

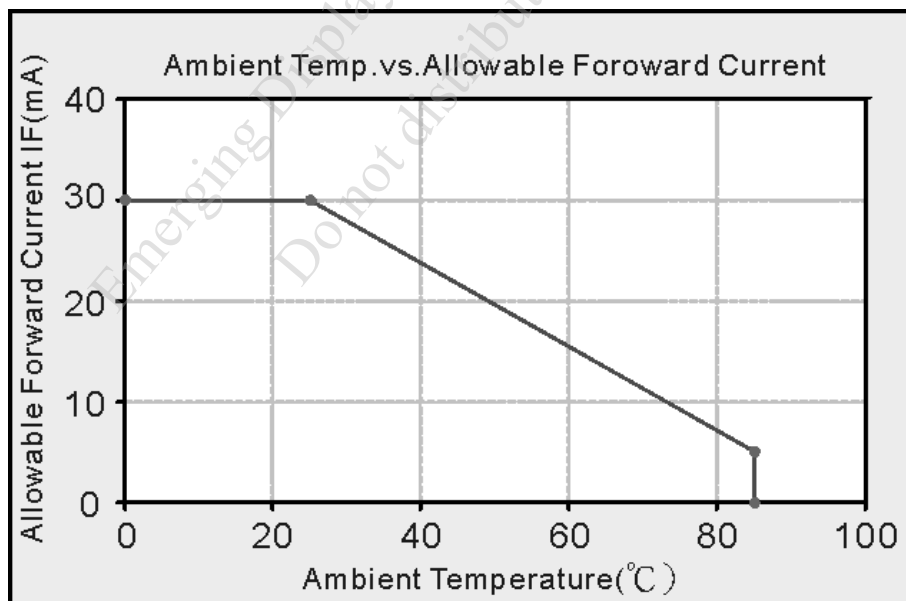
Ta = 25 °C

| PARAMETER | SYMBOL | CONDITION | MIN. | TYP. | MAX. | UNIT | REMARK |
|--------------------------------|----------------|--------------------------|---------|------|---------|------|---------|
| DIGITAL POWER SUPPLY | VCC | — | 2.5 | 3.3 | 3.6 | V | |
| ANALOG POWER SUPPLY | VDD | — | 2.5 | 3.3 | 3.6 | V | |
| DIGITAL OPERATING CURRENT | ICC | — | — | 1 | 2 | mA | |
| ANALOG OPERATING CURRENT | IDD | — | — | 10 | 15 | mA | |
| LOGIC HIGH OUTPUT VOLTAGE | VOH | I _{OUT} =-100μA | 0.9*VCC | — | VCC | V | |
| LOGIC LOW OUTPUT VOLTAGE | VOL | I _{OUT} =100μA | 0 | — | 0.1*VCC | V | |
| LOGIC HIGH INPUT VOLTAGE | VIH | H LEVEL | 0.8*VCC | — | VCC | V | |
| LOGIC LOW INPUT VOLTAGE | VIL | L LEVEL | 0 | — | 0.2*VCC | V | |
| POWER SUPPLY FOR LED BACKLIGHT | V _F | I _F =20mA | 18 | 19.8 | 21.6 | V | NOET(1) |
| LED LIFE TIME | | — | 30k | 40k | — | hr | |

NOTE (1) : INTERNAL CIRCUIT DIAGRAM OF BACKLIGHT



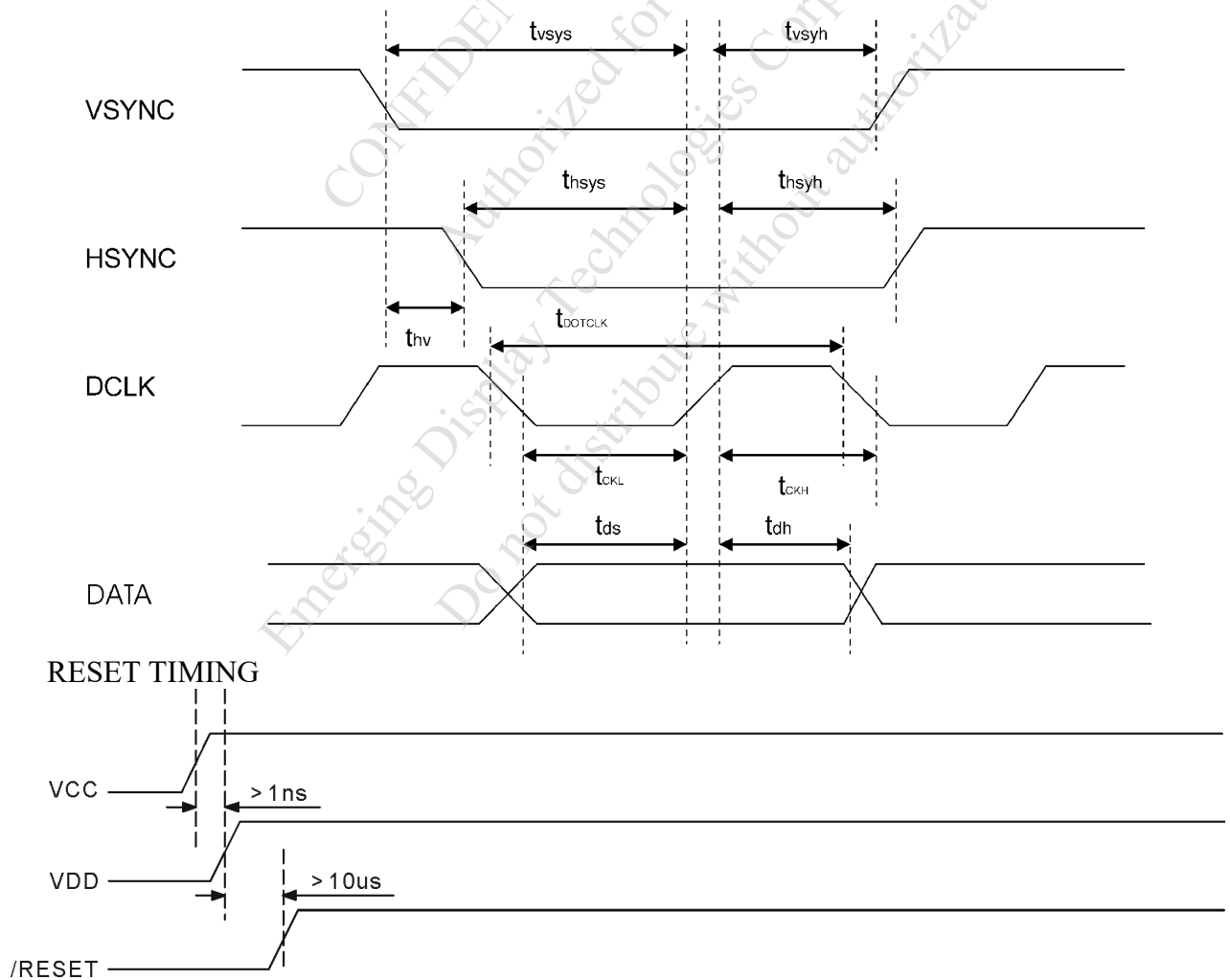
NOTE (2) : AMBIENT TEMP .VS. ALLOWABLE FORWARD CURRENT.(PER LED)



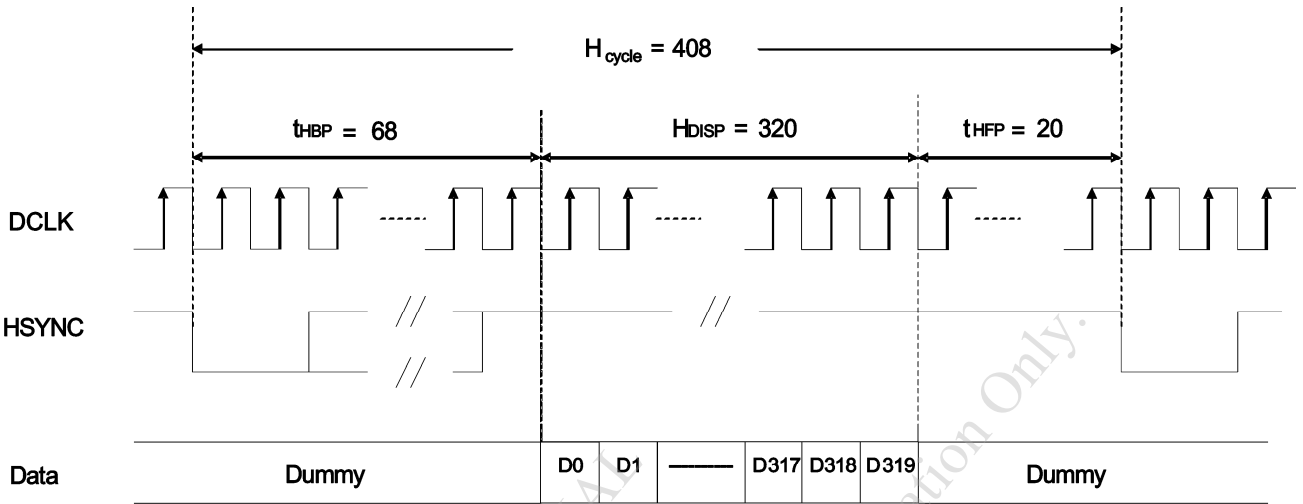
5. TIMING CHART

5.1 PIXEL TIMING

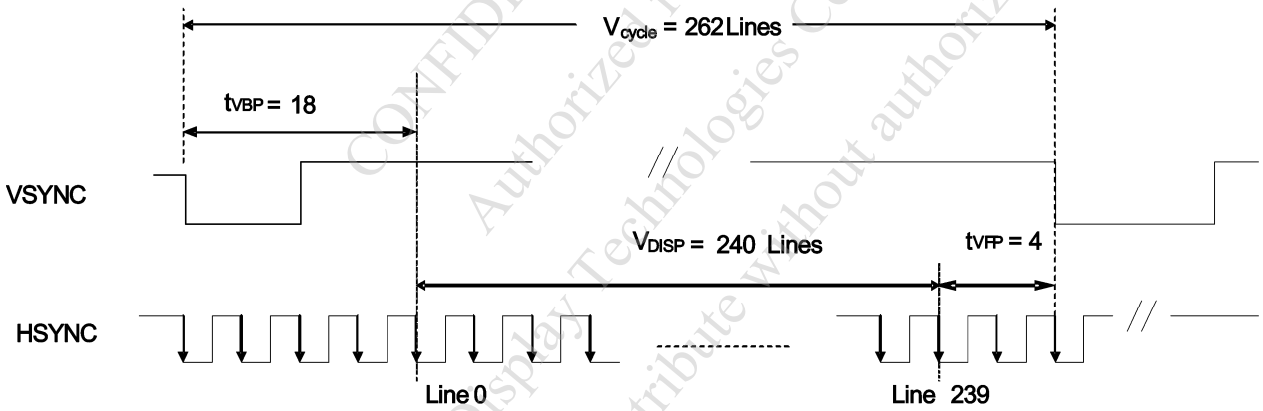
| CHARACTERISTICS | SYMBOL | MIN. | TYP. | MAX. | UNIT |
|--|--------|------|------|------|-------|
| DCLK FREQUENCY | fDCLK | — | 6.5 | 10 | MHz |
| DCLK PERIOD | tDCLK | 100 | 154 | — | ns |
| VERTICAL SYNC SETUP TIME | tvsys | 20 | — | — | ns |
| VERTICAL SYNC HOLD TIME | tvsyh | 20 | — | — | ns |
| HORIZONTAL SYNC SETUP TIME | thsys | 20 | — | — | ns |
| HORIZONTAL SYNC HOLD TIME | thsyh | 20 | — | — | ns |
| PHASE DIFFERENCE OF SYNC SIGNAL FALLING EDGE | thv | -4 | — | +4 | tDCLK |
| DCLK LOW PERIOD | tCKL | 50 | — | — | ns |
| DCLK HIGH PERIOD | tCKH | 50 | — | — | ns |
| DATA SETUP TIME | tds | 12 | — | — | ns |
| DATA HOLD TIME | tdh | 12 | — | — | ns |
| RESET PULSE WIDTH | tRES | 10 | — | — | μs |



5.2 PARALLEL RGB INTERFACE (SYNC MODE)

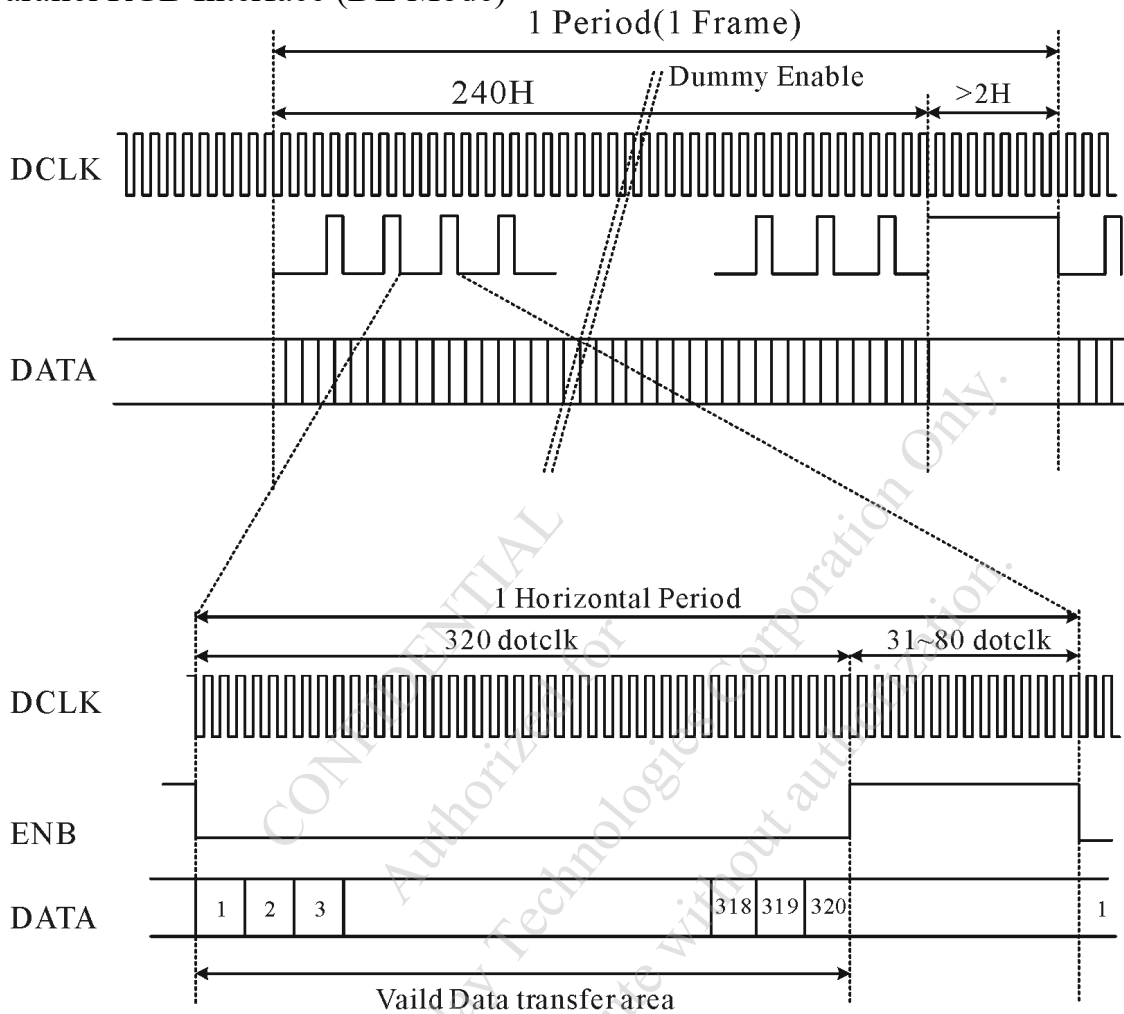


a) Horizontal Data Transaction Timing



b) Vertical Data Transaction Timing

Parallel RGB Interface (DE Mode)



| CHARACTERISTICS | SYMBOL | MIN. | TYP. | MAX. | |
|------------------------------|-------------------------------------|------|----------------------------|-------|-------------------|
| DCLK FREQUENCY | f _{DCLK} | — | 6.5 | 10 | MHz |
| DCLK PERIOD | t _{DCLK} | 100 | 154 | — | ns |
| HORIZONTAL FREQUENCY (LINE) | f _H | — | 15.72 | 22.35 | KHz |
| VERTICAL FREQUENCY (REFRESH) | f _V | — | 60 | 90 | Hz |
| HORIZONTAL BACK PORCH | t _{HBP} | — | 68 | — | t _{DCLK} |
| HORIZONTAL FRONT PORCH | t _{HFP} | — | 20 | — | t _{DCLK} |
| HORIZONTAL DATA START POINT | t _{HBP} | — | 68 | — | t _{DCLK} |
| HORIZONTAL BLANKING PERIOD | t _{HBP} + t _{HFP} | — | 88 | — | t _{DCLK} |
| HORIZONTAL DISPLAY AREA | H _{DISP} | — | 320 | — | t _{DCLK} |
| HORIZONTAL CYCLE | H _{cycle} | — | 408 | 450 | t _{DCLK} |
| VERTICAL BACK PORCH | t _{VBP} | — | 18 | — | Lines |
| VERTICAL FRONT PORCH | t _{VFP} | — | 4 | — | Lines |
| VERTICAL DATA START POINT | t _{VBP} | — | 18 | — | Lines |
| VERTICAL BLANKING PERIOD | t _{VBP} + t _{VFP} | — | 22 | — | Lines |
| VERTICAL DISPLAY AREA | NTSC | — | 240 | — | Lines |
| | PAL | — | 280(PALM=0) 280(PALM=1) | — | |
| VERTICAL CYCLE | NTSC | 250 | 262 | 287 | Lines |
| | PAL | 300 | 313 | 400 | |

6. OPTICAL CHARACTERISTICS (NOTE1)

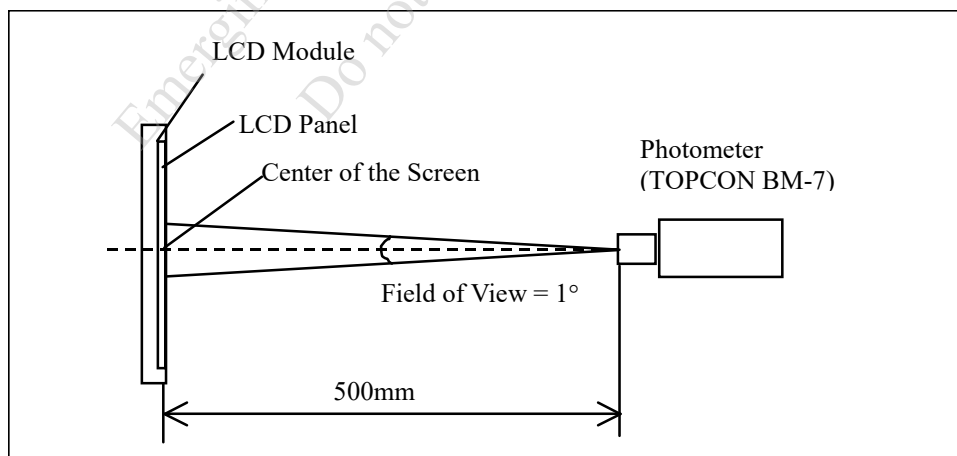
6.1 OPTICAL CHARACTERISTICS

Ta = 25 ± 2°C

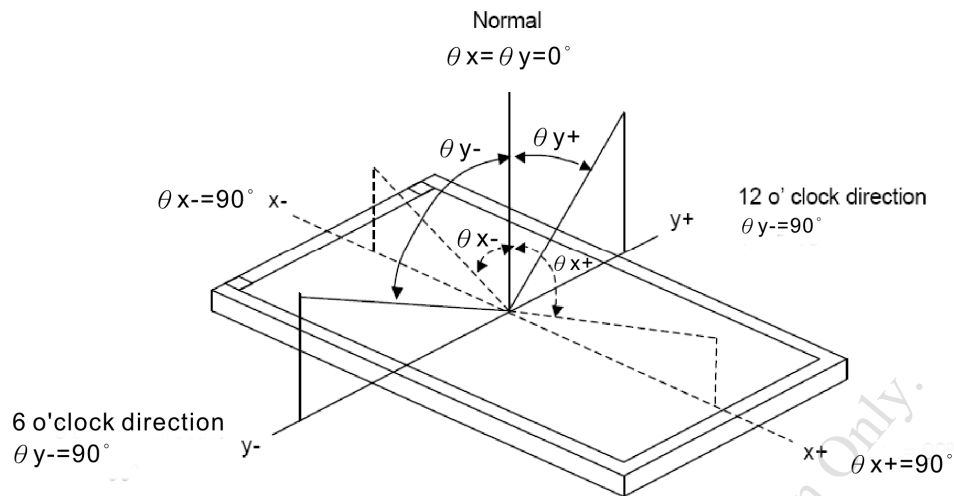
| ITEM | SYMBOL | CONDITION | MIN. | TYP. | MAX. | UNIT | REMARK | |
|------------------------------|-----------------------|---|---|--------|--------|-------------------|--------|----------|
| VIEWING ANGLE | θ_{y+} | CR ≥ 10 | $\theta_x=0^\circ$ | 50 | 55 | — | deg. | (2), (3) |
| | θ_{y-} | | | 70 | 75 | — | | |
| | θ_{x+} | | $\theta_y=0^\circ$ | 70 | 75 | — | | |
| | θ_{x-} | | | 70 | 75 | — | | |
| CONTRAST RATIO | CR | $\theta_x=0^\circ, \theta_y=0^\circ$ | 300 | 400 | — | — | (3) | |
| RESPONSE TIME | T _R (rise) | $\theta_x=0^\circ, \theta_y=0^\circ$ | — | 15 | 20 | msec | (4) | |
| | T _F (fall) | | — | 35 | 50 | | | |
| THE BRIGHTNESS OF MODULE | B | $\theta_x=0^\circ, \theta_y=0^\circ$ IF=20mA | 300 | 350 | — | cd/m ² | (5) | |
| COLOR OF CIE COORDINATE | WHITE | W _x | $\theta_x=0^\circ, \theta_y=0^\circ$ IF=20mA (NTSC : 60%) | (0.25) | (0.30) | (0.35) | — | (6) |
| | | W _y | | (0.27) | (0.32) | (0.37) | | |
| | RED | R _x | | (0.57) | (0.62) | (0.67) | | |
| | | R _y | | (0.31) | (0.36) | (0.41) | | |
| | GREEN | G _x | | (0.30) | (0.35) | (0.40) | | |
| | | G _y | | (0.56) | (0.61) | (0.66) | | |
| | BLUE | B _x | | (0.11) | (0.16) | (0.21) | | |
| | | B _y | | (0.04) | (0.09) | (0.14) | | |
| THE UNIFORMITY OF BRIGHTNESS | — | — | 70 | — | — | % | — | |

NOTE (1) : TEST EQUIPMENT SETUP :

AFTER STABILIZING AND LEAVING THE PANEL ALONE AT A GIVEN TEMPERATURE FOR 30 MINUTES , THE MEASUREMENT SHOULD BE EXECUTED. MEASUREMENT SHOULD BE EXECUTED IN A STABLE , WINDLESS , AND DARK ROOM. OPTICAL SPECIFICATIONS ARE MEASURED BY TOPCON BM-7 (FAST) WITH A VIEWING ANGLE OF 1° AT A DISTANCE OF 50cm AND NORMAL DIRECTION.



NOTE (2) : DEFINITION OF VIEWING ANGLE :

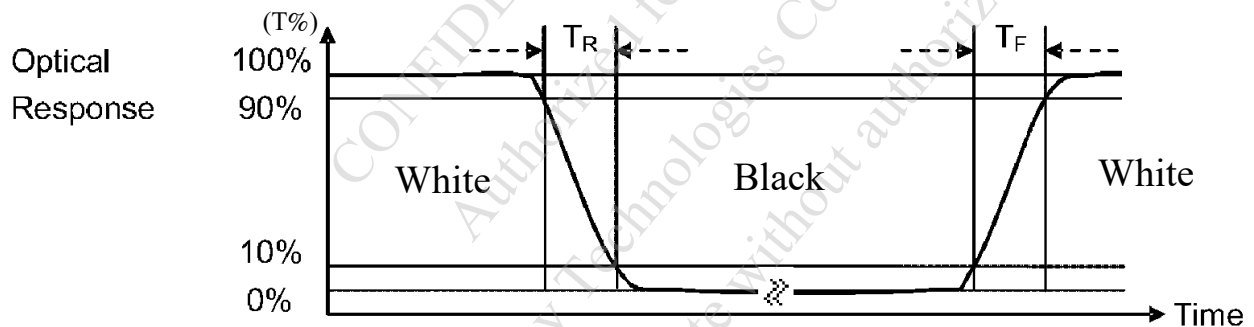


NOTE (3) : DEFINITION OF CONTRAST RATIO :

$$\text{CONTRAST RATIO (CR)} = \frac{\text{BRIGHTNESS MEASURED WHEN LCD IS AT "WHITE STATE"}}{\text{BRIGHTNESS MEASURED WHEN LCD IS AT "BLACK STATE"}}$$

NOTE (4) : DEFINITION OF RESPONSE TIME : TR AND TF

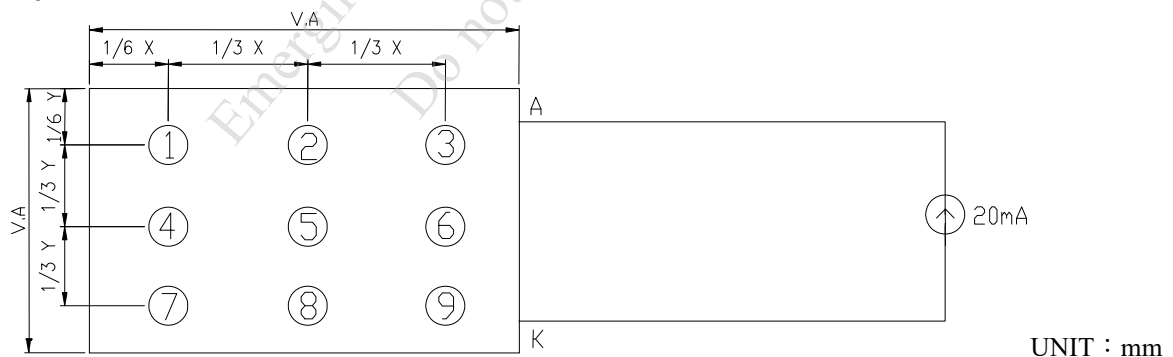
THE FIGURE BELOW IS THE OUTPUT SIGNAL OF THE PHOTO DETECTOR.



NOTE (5) : BRIGHTNESS MEASURED WHEN LCD IS AT "WHITE STATE"

NOTE (6) : THE 100% TRANSMISSION IS DEFINED AS THE TRANSMISSION OF LCD PANEL WHEN ALL THE INPUT TERMINALS OF MODULE ARE ELECTRICALLY OPENED.

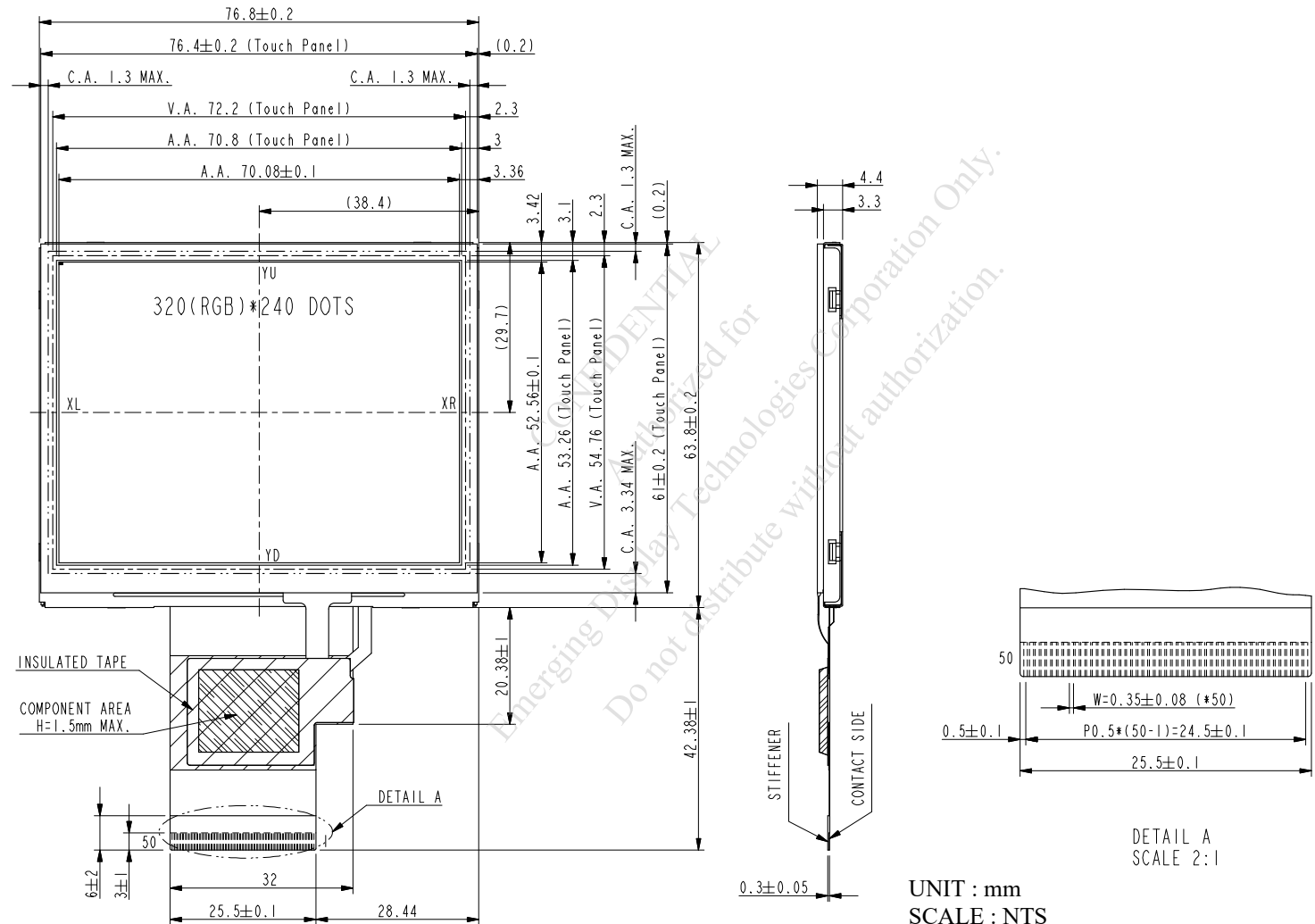
6.2 THE TEST METHOD OF BRIGHTNESS AND UNIFORMITY



6.3 THE CALCULATING METHOD OF UNIFORMITY

$$\text{UNIFORMITY} = \left[1 - \frac{\text{MAXIMUM BRIGHTNESS} - \text{MINIMUM BRIGHTNESS}}{\text{AVERAGE BRIGHTNESS}} \right] \times 100\%$$

7. OUTLINE DIMENSIONS

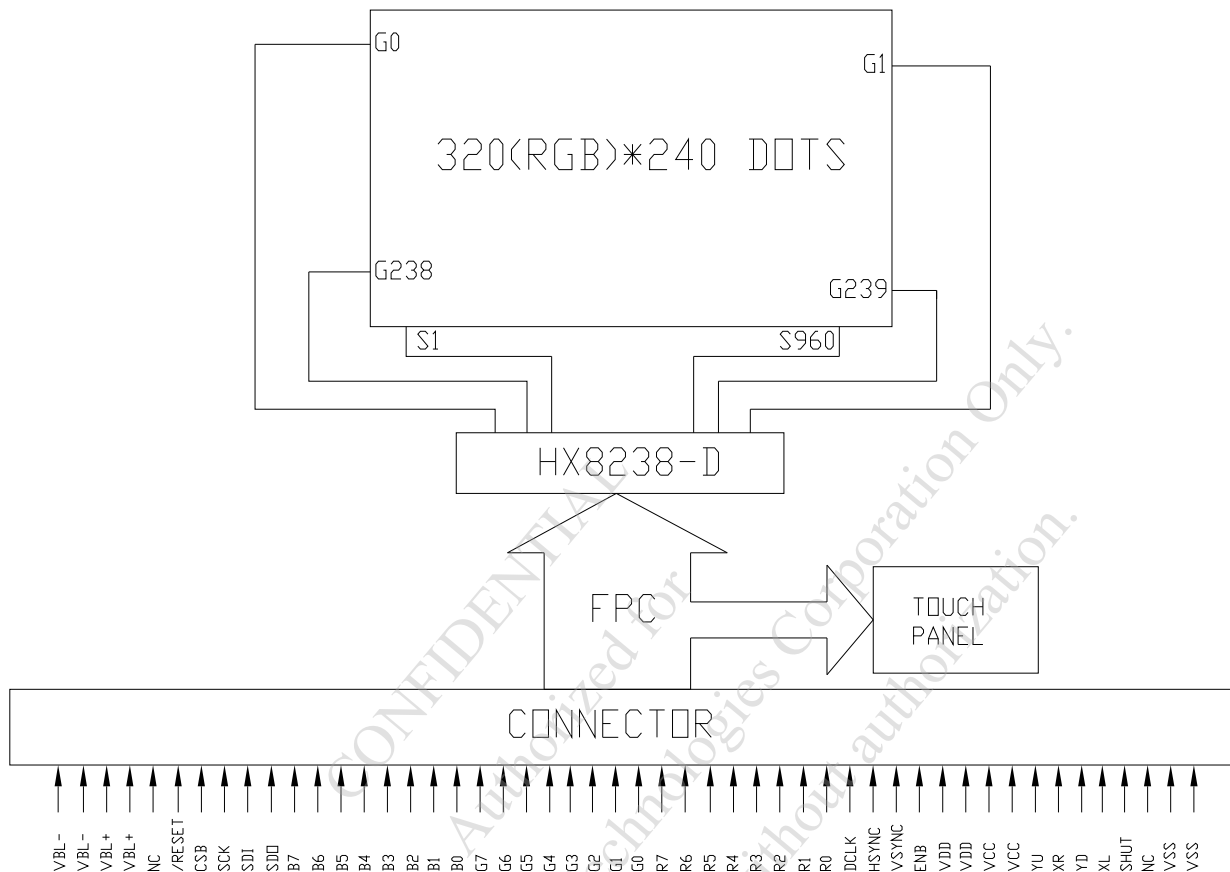


UNIT : mm
SCALE : NTS
NOT SPECIFIED LENGTH TOLERANCE IS ± 0.5
NOTE : MARK \triangle MODIFY (NUMBER NOTE MODIFY VERSION)

\triangle NOTE:
RECOMMEND MATCH CONNECTOR
KYOCERA:04 6299 050 SERIES

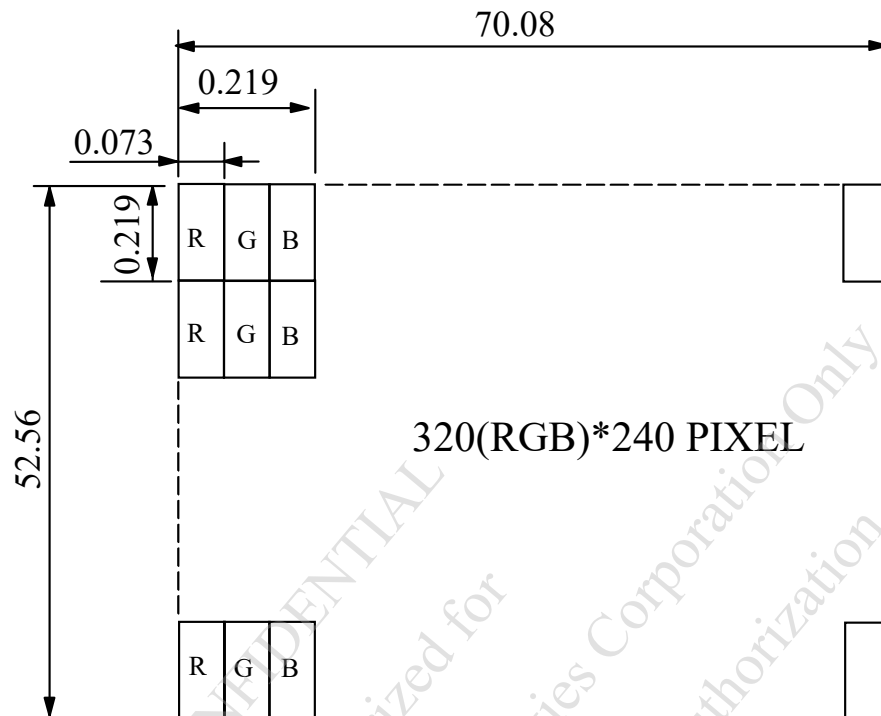
\triangle Best Contrast but with Gray Level Inversion

8. BLOCK DIMENSION



CONFIDENTIAL
 Authorized for Emerging Display Technologies Corporation Only.
 Do not distribute without authorization.

9. DETAIL DRAWING OF DOT MATRIX



UNIT : mm

SCALE : NTS

NOT SPECIFIED TOLERANCE IS ± 0.1

DOTS MATRIX TOLERANCE IS ± 0.01

CONFIDENTIAL
Authorized for Emerging Display Technologies Corporation Only
Do not distribute without authorization

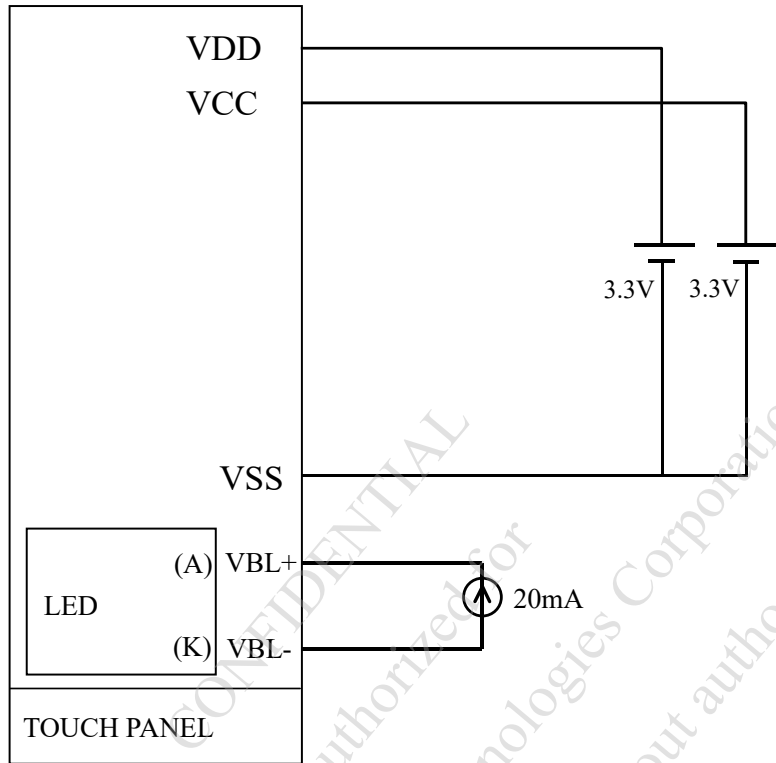
10. INTERFACE SIGNALS

| PIN NO | SYMBOL | I/O | FUNCTION |
|--------|--------|-----|-------------------------------|
| 1 | VBL- | P | BACKLIGHT LED GROUND (K) |
| 2 | VBL- | P | BACKLIGHT LED GROUND (K) |
| 3 | VBL+ | P | BACKLIGHT LED POWER (A) |
| 4 | VBL+ | P | BACKLIGHT LED POWER (A) |
| 5 | NC | — | NOT USE |
| 6 | /RESET | I | HARDWARE RESET |
| 7 | CSB | I | SPI INTERFACE CHIP SELECT BAR |
| 8 | SCK | I | SPI INTERFACE DATA CLOCK |
| 9 | SDI | I | SPI INTERFACE DATA (INPUT) |
| 10 | SDO | O | SPI INTERFACE DATA(OUTPUT) |
| 11 | B7 | I | BLUE DATA BIT 7 |
| 12 | B6 | I | BLUE DATA BIT 6 |
| 13 | B5 | I | BLUE DATA BIT 5 |
| 14 | B4 | I | BLUE DATA BIT 4 |
| 15 | B3 | I | BLUE DATA BIT 3 |
| 16 | B2 | I | BLUE DATA BIT 2 |
| 17 | B1 | I | BLUE DATA BIT 1 |
| 18 | B0 | I | BLUE DATA BIT 0 |
| 19 | G7 | I | GREEN DATA BIT 7 |
| 20 | G6 | I | GREEN DATA BIT 6 |
| 21 | G5 | I | GREEN DATA BIT 5 |
| 22 | G4 | I | GREEN DATA BIT 4 |
| 23 | G3 | I | GREEN DATA BIT 3 |
| 24 | G2 | I | GREEN DATA BIT 2 |
| 25 | G1 | I | GREEN DATA BIT 1 |
| 26 | G0 | I | GREEN DATA BIT 0 |
| 27 | R7 | I | RED DATA BIT 7 |
| 28 | R6 | I | RED DATA BIT 6 |
| 29 | R5 | I | RED DATA BIT 5 |
| 30 | R4 | I | RED DATA BIT 4 |
| 31 | R3 | I | RED DATA BIT 3 |
| 32 | R2 | I | RED DATA BIT 2 |
| 33 | R1 | I | RED DATA BIT 1 |
| 34 | R0 | I | RED DATA BIT 0 |

| PIN NO | SYMBOL | I/O | FUNCTION | |
|--------|--------|-----|---|---|
| 35 | DCLK | I | DOT DATA COLCK | |
| 36 | HSYNC | I | HORIZONTAL SYNC INPUT | DE MODE : HSYNC, VSYNC, FLOATING SYNC MODE : DE FLOATING |
| 37 | VSYNC | I | VERTICAL SYNC INPUT | |
| 38 | ENB | I | DATA ENABLE INPUT | |
| 39 | VDD | P | ANALOG POWER | |
| 40 | VDD | P | ANALOG POWER | |
| 41 | VCC | P | DIGITAL POWER | |
| 42 | VCC | P | DIGITAL POWER | |
| 43 | YU | I | TOP PANEL | TOUCH PANEL INTERFACE SIGNALS |
| 44 | XR | I | RIGHT PANEL | |
| 45 | YD | I | BOTTOM PANEL | |
| 46 | XL | I | LEFT PANEL | |
| 47 | SHUT | I | DISPLAY SHUT DOWN PIN TO PUT THE DRIVER INTO SLEEP MODE. CONNECT TO VCC FOR SLEEP MODE. CONNECT TO VSS FOR NORMAL OPERATING MODE. | |
| 48 | NC | — | NOT USE | |
| 49 | VSS | P | GROUND | |
| 50 | VSS | P | GROUND | |

Copyright © 2011 Emerging Display Technologies Corporation
Authorized for Distribution Only
Do not distribute without authorization

1 1 . POWER SUPPLY
1 1 .1 POWER SUPPLY FOR LCM



CONFIDENTIAL
Authorized for
Emerging Display Technologies Corporation Only.
Do not distribute without authorization.

12. TOUCH PANEL SPECIFICATION

12.1 ELECTRICAL CHARACTERISTICS

Ta = 25°C

| ITEM | CONDITION | SPEC. | UNIT |
|-----------------------|-----------|-----------|------|
| LINEARITY | — | 1.5 | % |
| TERMINAL RESISTANCE | X AXIS | 200 ~ 900 | Ω |
| | Y AXIS | 200 ~ 900 | |
| INSULATION RESISTANCE | DC25V | 20 | MΩ |
| INPUT VOLTAGE | — | 5(TYP.) | V |

12.2 PRECAUTIONS IN USE OF TOUCH PANEL

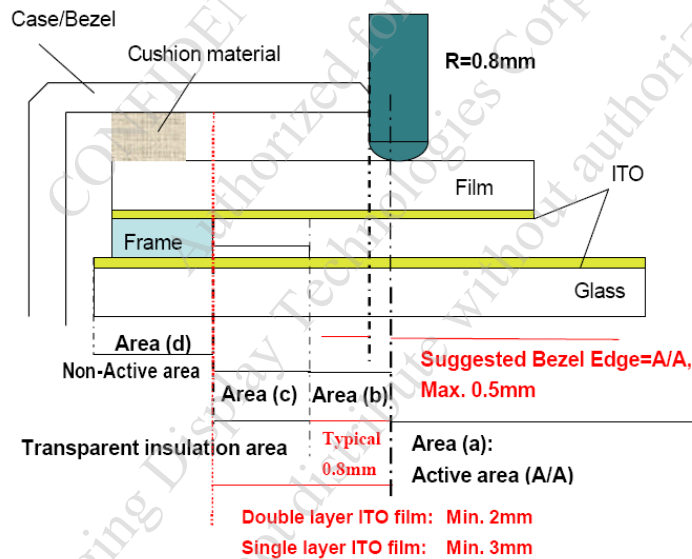
12.2.1 PURPOSE :

IN ORDER TO PREVENT ACCIDENTAL USE AND PERFORMANCE DETERIORATION, PLEASE KEEP THE FOLLOWING PRECAUTIONS AND INHIBITED POINTS.

12.2.2 ITEM AND ILLUSTRATION :

(1) STRUCTURE, AREA DEFINITION

THE STRUCTURE AND THE PERFORMANCE GUARANTEED AREA OF THIS TOUCH PANEL ARE DEFINED BELOW :



THE ABOVE FIGURE IS OUR DESIGN RULE OF TOUCH PANEL.

IF IT CANNOT MEET YOUR REQUIREMENT, PLEASE CONTACT WITH OUR ENGINEERS FOR FURTHER DISCUSSION.

ABOVE FIGURE ILLUSTRATES THE RECOMMENDED BEZEL AND CUSHION DESIGN. IN ORDER TO PREVENT UNUSUAL PERFORMANCE DEGRADATION AND MALFUNCTION OF A TOUCH PANEL, PLEASE CARRY OUT THE SET CASE DESIGNING AND A TOUCH PANEL ASSEMBLING METHOD AFTER SURELY CONSIDERING THE DEFINITION OF EACH AREA ILLUSTRATED IN ABOVE FIGURE.

AREA(a) : ACTIVE AREA

THE ACTIVE AREA IS GUARANTEED THE POSITION DATA DETECTABLE PRECISION, OPERATION FORCE AND OTHER OPERATIONS. IT IS STRONGLY RECOMMENDED TO PLACE THE OPERATION BUTTON OR MENU KEYS WITHIN THE ACTIVE AREA. DUE TO STRUCTURE, THE ACTIVE AREA IS LESS DURABLE AT THE EDGE OR CLOSE TO THE EDGE.

AREA(b) : OPERATION NON-GUARANTEED AREA

THIS AREA DOES NOT GUARANTEE A TOUCH PANEL OPERATION AND ITS FUNCTION. WHEN THIS AREA IS PRESSED, TOUCH PANEL SHOWS DEGRADATION OF ITS PERFORMANCE AND DURABILITY SUCH AS A PEN SLIDING DURABILITY BECOMES ABOUT ONE-TENTH COMPARED WITH THE ACTIVE AREA (AREA-(A) AS GUARANTEED AREA) AND ITS OPERATION FORCE REQUIRES ABOUT DOUBLE. ABOUT 0.5 MM OUTSIDE FROM A BOUNDARY OF THE ACTIVE AREA CORRESPONDS TO THIS AREA.

AREA(c) : PRESSING PROHIBITION AREA

THE AREA WHICH FORBIDS PRESSING, BECAUSE AN EXCESSIVE LOAD IS APPLIED TO A TRANSPARENT ELECTRODE (ITO) AND A SERIOUS DAMAGE IS GIVEN TO A TOUCH PANEL FUNCTION BY PRESSING.

AREA(d) : NON-ACTIVE AREA

THE AREA DOES NOT ACTIVATE EVEN IF PRESSED.

(2) CAUTIONS FOR INSTALLING AND ASSEMBLING

(i) DO NOT GIVE EXCESSIVE STRAIN TO THE PRODUCT.

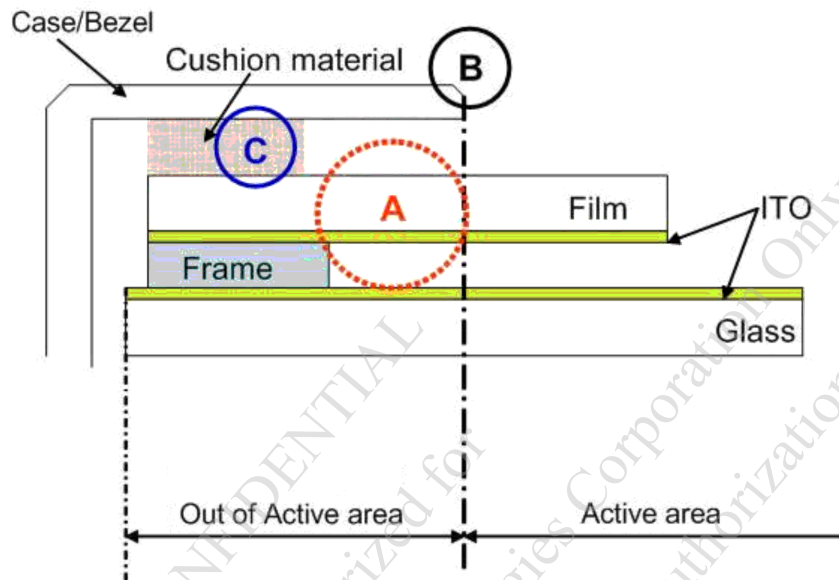
(ii) FLEXIBLE PATTERN CABLE IS CONNECTED TO THE BODY BY THERMAL PRESSURE METHOD. SO, DO NOT APPLY EXCESSIVE FORCES TO THE FLEXIBLE PATTERN. DO NOT ADD AN EXCESSIVE FORCE TO A FPC(FLEX TAIL) THAT MAKES PEELING OFF OF THE FPC FROM THE PRODUCT. DO NOT FIX, ADHERE OR MOUNT ANY ADDITIONAL GOODS ON THE FPC SUCH AS ADDITIONAL FILM/PLATE ON THE FPC, BECAUSE SUCH ADDITIONAL GOODS WILL APPLY A STRESS AT THE FPC BONDING AREA. IT MAY AFFECT THE CONDUCTIVITY OF FPC WITH TOUCH PANEL.

(iii) IN ORDER NOT TO APPLY LOAD ON THE DISPLAY, PROVIDE A CLEARANCE OF AT LEAST 0.3MM BETWEEN THE PRODUCT AND DISPLAY.

(iv) WE RECOMMEND THE DESIGN OF A CASE OR BEZEL SHOULD COVERS THE BOUNDARY OF THE ACTIVE AREA INSIDE IN ORDER TO PREVENT AN OPERATION AT OUTSIDE OF THE ACTIVE AREA WHICH CAN NOT GUARANTEE THE FUNCTION OR DURABILITY (REFER TO ITEM 5.1.2. STRUCTURE, AREA DEFINITION).

BEZEL'S EDGE PART MAY GUIDE THE PEN SLIDING ON THE SAME POSITION REPEATEDLY. IF THE BEZEL IS PLACED OUTSIDE OF THE ACTIVE AREA, IT MAY CAUSE THE DAMAGE OF THE ITO FILM.

- (v) PRESSING INSIDE OF BOUNDARY OF THE FRAME(PART (A) AS SHOWN IN BELOW) MAY CAUSES FAULT OPERATION, SO PLEASE DESIGN TO AVOID PRESSING OF TOUCH PANEL AT PART (A) SUCH AS HAVING GASKET/CUSHION AT PART (C). PARTICULARLY THE AREA (B) SHALL BE FREE FROM BURR. THE GASKET/CUSHION MATERIAL AT THE PART (C) SHOULD NOT BE EXCEEDED TO INSIDE OF THE BOUNDARY OF THE FRAME.



- (vi) TO PREVENT GIVING DISTORTION TO THE FILM OF THE PRODUCT AND PEELING OFF OF THE FILM FROM THE PRODUCT, DO NOT FIX THE FILM AND A SET CASE OR A SHOCK ABSORBING MATERIAL ADHERED TO A SET CASE BY ADHESION.
- (vii) WIPE OFF THE STAIN ON THE PRODUCT BY USING SOFT CLOTH MOISTENED WITH ETHANOL. TAKE CARE NOT TO ALLOW ETHANOL TO SOAK INTO THE JOINT OF UPPER FILM AND BOTTOM GLASS. IT MAY OTHERWISE CAUSE PEELING OR DEFECTIVE OPERATION. DO NOT USE ANY ORGANIC SOLVENT OR DETERGENT OTHER THAN ETHANOL.
- (viii) THE CORNERS OF THE PRODUCT ARE NOT CHAMFERED AND ARE SHARP. WHEN POSITIONING AND FIXING THE PRODUCT ON THE CASE, PROVIDE A ROUND PART ON THE CORNER OF THE CASE SO AS NOT TO APPLY LOAD ON THE CORNER OF THE TRANSPARENT TOUCH PANEL.
- (ix) DO NOT PRESS THE FILM OF THE PRODUCT WHEN THIS PRODUCT IS BUILT INTO A SET.
- (3) CAUTIONS FOR OPERATION
- (i) OPERATE IT WITH A POLYACETAL PEN (TIP R0.8 OR OVER) OR A BELLY OF A FINGER WITHOUT APPLYING EXCESSIVE LOAD. NEVER USE ANY MECHANICAL PENCILS, BALL POINT PENS AND HARD FINGERTIPS WHOSE TIP IS HARD FOR INPUT, OTHERWISE MALFUNCTIONS MAY RESULT.

- (ii) THE INPUT POSITION MAY BE FLUCTUATED A LITTLE THROUGH LONG-TIME USE. IT IS DESIRABLE TO PROVIDE A ZERO-ADJUSTMENT FUNCTION BY USING A CIRCUIT AND SOFTWARE.
- (iii) OPERATION AT THE OUT OF ACTIVE AREA IS OUT OF OUR GUARANTEE. IT CAUSES A SERIOUS DAMAGE OF A TRANSPARENT ELECTRODE. DO NOT OPERATE AT THE OUT OF ACTIVE AREA.
- (iv) IN CASE OF CLEANING THE PART OF THE CASE BOUNDARY OF ACCOMPLISHED SET, USE A SOFT CLOTH WITH A FINGER BERRY OR A COTTON BUD. DO NOT CLEAN WITH A THING OTHER THAN THE FINGER SUCH AS HARD OR SHARP EDGES LIKE A FINGER NAIL ETC. ON THE CLOTH, BECAUSE IT CAUSE TRANSPARENT CONDUCTIVE FILM CRACKS. PLEASE ADVISE THIS PROHIBITION TO YOUR LAST CUSTOMERS.

12.3 DURABILITY

12.3.1 STYLUS HITTING :

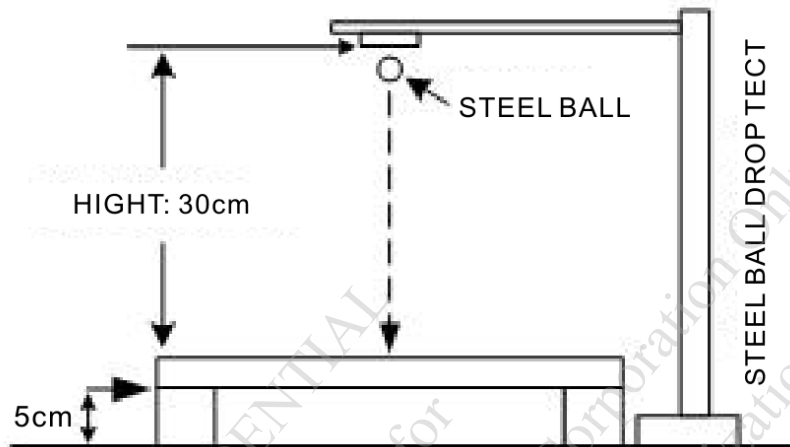
ONE MILLION TIMES OR OVER
NO DAMAGE ON FILM SURFACE
PEN : R8 mm SILICON RUBBER
LOAD : 250g
FREQUENCY : 240 times/min
MEASUREMENT POSITION:
1 POINT OF TOUCH PANEL ACTIVE AREA
REPEATED : OVER 1,000,000 TIMES

12.3.2 PEN TOUCH SLIDING DURABILITY :

100,000 TIMES OR OVER
WRITING WITH R0.8mm PLASTIC STYLUS PEN; WRITING FORCE 150g
IN ACTIVE AREA.
SPEED IS 60mm/sec.

12.4 STEEL BALL DROP TEST

BY USING F9mm STEEL BALL FROM THE HEIGHT OF 30cm AND FALLING ON TOUCH PANEL SURFACE, MUST PASS BELOW CONDITIONS :
APPEARANCE : THE APPEARANCE WITHOUT ANY CHANGE, INCLUDING THE PANEL BROKEN.



12.5 APPEARANCE INSPECTION

PURPOSE :

TO ESTABLISH APPEARANCE STANDARD AND MAINTAIN PRODUCT QUALITY .

SCOPE :

TOUCH PANEL VIEW AREA WITHIN TOUCH PANEL .

12.5.1 RULE :

INSPECTION CONDITION

(A) ENVIRONMENTAL LUMINANCE : 500 LUX .

(B) DISTANCE BETWEEN HUMAN EYES AND PANEL : 30 CM

(PANEL MUST BE TESTED UNDER LIGHT TRANSPARENT) .

(C) VISUAL ANGEL : $> 60^\circ$.

(D) LIGHT SOURCE : FLUORESCENT LIGHT SOURCE .

12.5.2 JUDGE CRITERION :

JUDGEMENT UNDER ABOVE MENTIONED CRITERION (PANEL MUST BE TESTED UNDER LIGHT TRANSPARENT),

TESTING GOODS DEFECT CAN BE VISIBLE WITHIN 10 SECONDS, WHICH WILL BE JUDGED AS MAJOR DEFECTS .

SAMPLING STANDARD :

THE SAMPLING STANDARD WILL BE CONFIRMED BY BOTH OF EDT AND CUSTOMER.

| INSPECTION ITEMS | SEPC. | JUDGE CRITERION | OPERATION GUIDELINE |
|-------------------------|---|-----------------|---------------------|
| SCRATCH | $W \leq 0.1\text{mm} \ \& \ L \leq 10\text{mm}$ | ACCEPTABLE | |
| | $W > 0.1\text{mm} \ \text{or} \ L > 10\text{mm}$ | NOT ACCEPTABLE | |
| LINEAR FOREIGN OBJECT | $W \leq 0.1\text{mm} \ \& \ L \leq 5\text{mm}$ | ACCEPTABLE | |
| | $W > 0.1\text{mm} \ \text{or} \ L > 5\text{mm}$ | NOT ACCEPTABLE | |
| GRANULAR FOREIGN OBJECT | $D \leq 0.3\text{mm}$ | ACCEPTABLE | |
| | $D > 0.3\text{mm}$ | NOT ACCEPTABLE | |
| PET BUBBLES | $D \leq 0.6\text{mm}$ | ACCEPTABLE | |
| | $D > 0.6\text{mm}$ | NOT ACCEPTABLE | |
| CHIP ON GLASS | CORNER $X \leq 3\text{mm} \ \cdot$ $Y \leq 3\text{mm} \ \cdot$ $Z < t$ $(t = \text{thickness})$ | ACCEPTABLE | |
| | EDGE $W \leq 3\text{mm} \ \cdot$ $Y \leq 3\text{mm} \ \cdot$ $Z < t$ | | |

CONFIDENTIAL
 Emerging Display Technologies Corporation
 Do not distribute without authorization.

13. INSPECTION CRITERION

13.1 APPLICATION

THIS INSPECTION STANDARD IS TO BE APPLIED TO THE LCD MODULE DELIVERED FROM EMERGING DISPLAY TECHNOLOGIES CORP.(E.D.T) TO CUSTOMERS

13.2 INSPECTION CONDITIONS

13.2.1 (1)OBSERVATION DISTANCE : 35cm±5cm

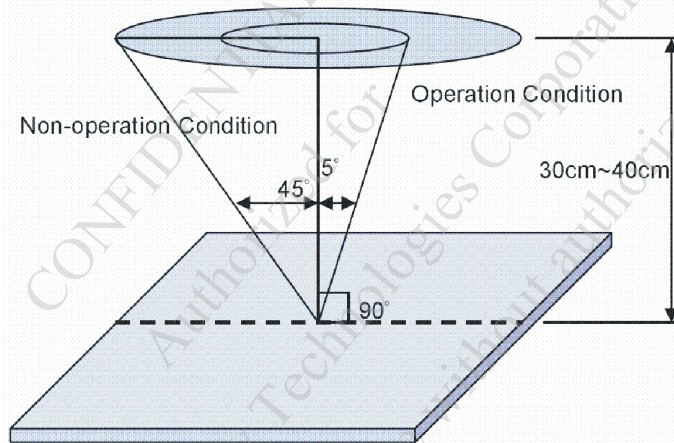
(2)VIEW ANGLE :

NON-OPERATION CONDITION : ±5°

(PERPENDICULAR TO LCD PANEL SURFACE)

OPERATION CONDITION : ±45°

(PERPENDICULAR TO LCD PANEL SURFACE)



13.2.2 ENVIRONMENT CONDITIONS :

| | | |
|----------------------|-----------------------|------------------|
| AMBIENT TEMPERATURE | | 20°C~25°C |
| AMBIENT HUMIDITY | | 65±20%RH |
| AMBIENT ILLUMINATION | COSMETIC INSPECTION | MORE THAN 600Lux |
| | FUNCTIONAL INSPECTION | 300~500 Lux |

13.2.3 INSPECTION LOT

QUANTITY PER DELIVERY LOT FOR EACH MODEL

13.2.4 INSPECTION METHOD

A SAMPLING INSPECTION SHALL BE MADE ACCORDING TO THE FOLLOWING PROVISIONS TO JUDGE THE ACCEPTABILITY

(a)APPLICABLE STANDARD :

MIL-STD-105E

NORMAL INSPECTION, SINGLE SAMPLING

Level II

(b)AQL : MAJOR DEFECT : AQL 0.65

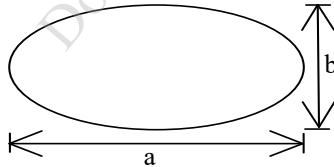
MINOR DEFECT : AQL 1.0

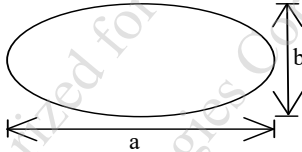
13.3 INSPECTION STANDARDS

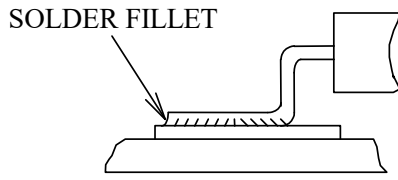
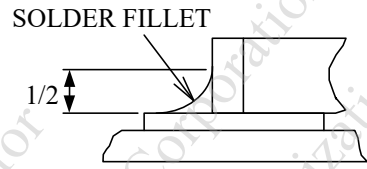
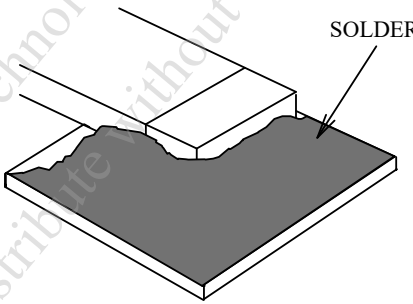
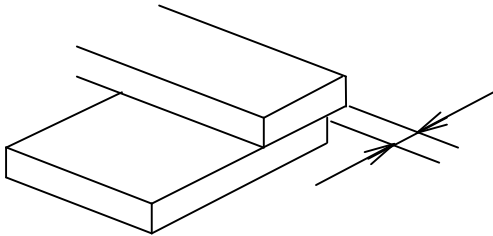
13.3.1 VISUAL DEFECTS CLASSIFICATION

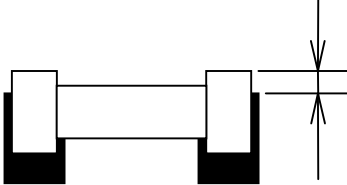
| TYPE OF DEFECT | INSPECTION ITEM | DEFECT FEATURE | AQL |
|----------------|-----------------------|---|------|
| MAJOR DEFECT | 1.DISPLAY ON | <ul style="list-style-type: none"> • DEFECT TO MISS SPECIFIED DISPLAY FUNCTION, FOR ALL AND SPECIFIED DOTS EX: DISCONNECTION, SHORT CIRCUIT ETC | 0.65 |
| | 2.BACKLIGHT | <ul style="list-style-type: none"> • NO LIGHT • FLICKERING AND OTHER ABNORMAL ILLUMINATION | |
| | 3.DIMENSIONS | <ul style="list-style-type: none"> • SUBJECT TO INDIVIDUAL ACCEPTANCE SPECIFICATIONS | |
| MINOR DEFECT | 1.DISPLAY ZONE | <ul style="list-style-type: none"> • BLACK/WHITE SPOT • BUBBLES ON POLARIZER • NEWTON RING • BLACK/WHITE LINE • SCRATCH • CONTAMINATION • LEVER COLOR SPREED | 1.0 |
| | 2.BEZEL ZONE | <ul style="list-style-type: none"> • STAINS • SCRATCHES • FOREIGN MATTER | |
| | 3.SOLDERING | <ul style="list-style-type: none"> • INSUFFICIENT SOLDER • SOLDERED IN INCORRECT POSITION • CONVEX SOLDERING SPOT • SOLDER BALLS • SOLDER SCRAPS | |
| | 4.DISPLAY ON (ALL ON) | <ul style="list-style-type: none"> • LIGHT LINE | |

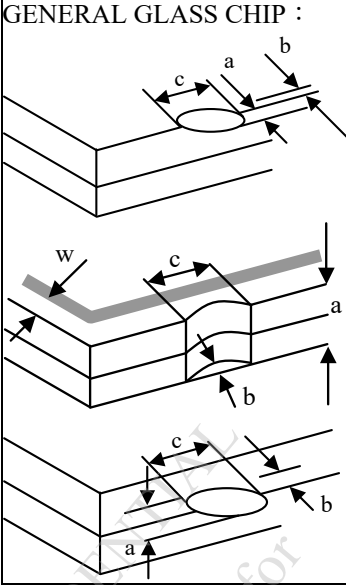
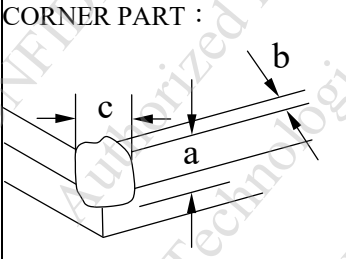
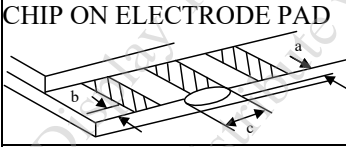
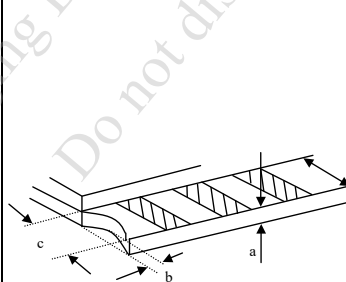
13.3.2 MODULE DEFECTS CALSSIFICATION

| NO. | ITEM | CRITERIA | | | | | | | | | | | | |
|---------------------------|---|---|--------------------------|----------------------------|-----------------|---------|----------------|--------|---------------------------|----------------|---|---------|---------|------|
| 1. | DISPLAY ON INSPECTION | (1)INCORRECT PATTERN (2)MISSING SEGMENT (3)DIM SEGMENT (4)OPERATING VOLTAGE BEYOND SPEC | | | | | | | | | | | | |
| 2. | OVERALL DIMENSIONS | (1)OVERALL DIMENSION BEYOND SPEC | | | | | | | | | | | | |
| 3. | DOT DEFECT | (1) INSPECTION PATTERN: FULL WHITE, FULL BLACK, RED, GREEN AND BLUE SCREENS. (2) <table border="1" style="margin-left: 20px;"> <thead> <tr> <th>ITEMS</th> <th>ACCEPTABLE COUNT</th> </tr> </thead> <tbody> <tr> <td>BRIGHT DOT</td> <td>N ≤ 2</td> </tr> <tr> <td>DARK DOT</td> <td>N ≤ 3</td> </tr> <tr> <td>TOAL BRIGHT AND DARK DOTS</td> <td>N ≤ 4</td> </tr> </tbody> </table> <p>NOTE :</p> <p>1. THE DEFINITION OF DOT : THE SIZE OF A DEFECTIVE DOT OVER 1/2 OF WHOLE DOT IS REGARDED AS ONE DEFECTIVE DOT.</p> <p>2. BRIGHT DOT : DOTS APPEAR BRIGHT AND UNCHANGED IN SIZE IN WHICH LCD PANEL IS DISPLAYING UNDER BLACK PATTERN.</p> <p>3. DARK DOT : DOTS APPEAR DARK AND UNCHANGED IN SIZE IN WHICH LCD PANEL IS DISPLAYING UNDER PURE RED, GREEN, BLUE PICTURE.</p> | ITEMS | ACCEPTABLE COUNT | BRIGHT DOT | N ≤ 2 | DARK DOT | N ≤ 3 | TOAL BRIGHT AND DARK DOTS | N ≤ 4 | | | | |
| ITEMS | ACCEPTABLE COUNT | | | | | | | | | | | | | |
| BRIGHT DOT | N ≤ 2 | | | | | | | | | | | | | |
| DARK DOT | N ≤ 3 | | | | | | | | | | | | | |
| TOAL BRIGHT AND DARK DOTS | N ≤ 4 | | | | | | | | | | | | | |
| 4. | FOREIGN BLACK/WHITE/ BRIGHT LINE/ SCRATCH OF VIEWING AREA | <table border="1" style="margin-left: 20px;"> <thead> <tr> <th>LENGTH : L</th> <th>WIDTH : W</th> <th>PERMISSIBLE NO.</th> </tr> </thead> <tbody> <tr> <td>L ≤ 0.3</td> <td>W ≤ 0.05</td> <td>IGNORE</td> </tr> <tr> <td>0.3 < L ≤ 2.5</td> <td>0.05 < W ≤ 0.1</td> <td>4</td> </tr> <tr> <td>2.5 < L</td> <td>0.1 < W</td> <td>NONE</td> </tr> </tbody> </table> <p>WIDTH : W mm, LENGH : L mm</p> | LENGTH : L | WIDTH : W | PERMISSIBLE NO. | L ≤ 0.3 | W ≤ 0.05 | IGNORE | 0.3 < L ≤ 2.5 | 0.05 < W ≤ 0.1 | 4 | 2.5 < L | 0.1 < W | NONE |
| LENGTH : L | WIDTH : W | PERMISSIBLE NO. | | | | | | | | | | | | |
| L ≤ 0.3 | W ≤ 0.05 | IGNORE | | | | | | | | | | | | |
| 0.3 < L ≤ 2.5 | 0.05 < W ≤ 0.1 | 4 | | | | | | | | | | | | |
| 2.5 < L | 0.1 < W | NONE | | | | | | | | | | | | |
| 5. | FOREIGN MATTER \ BLACK SPOTS \ WHITE SPOTS \ DENT (INCLUDING LIGHT LEAKAGE DUE TO POLARIZING PLATES PINHOLES, ETC.) | <table border="1" style="margin-left: 20px;"> <thead> <tr> <th>AVERAGE DIAMETER (mm): D</th> <th>NUMBER OF PIECES PERMITTED</th> </tr> </thead> <tbody> <tr> <td>D ≤ 0.15</td> <td>IGNORE</td> </tr> <tr> <td>0.15 < D ≤ 0.5</td> <td>4</td> </tr> <tr> <td>0.5 < D</td> <td>NONE</td> </tr> </tbody> </table> <p>NOTE : DIAMETER D=(a+b)/2</p>  | AVERAGE DIAMETER (mm): D | NUMBER OF PIECES PERMITTED | D ≤ 0.15 | IGNORE | 0.15 < D ≤ 0.5 | 4 | 0.5 < D | NONE | | | | |
| AVERAGE DIAMETER (mm): D | NUMBER OF PIECES PERMITTED | | | | | | | | | | | | | |
| D ≤ 0.15 | IGNORE | | | | | | | | | | | | | |
| 0.15 < D ≤ 0.5 | 4 | | | | | | | | | | | | | |
| 0.5 < D | NONE | | | | | | | | | | | | | |

| NO. | ITEM | CRITERIA | | |
|-----------------------------|--|--|-----------------------------|----------------------------|
| | | | AVERAGE DIAMETER (mm) : D | NUMBER OF PIECES PERMITTED |
| 6. | BUBBLES OF POLARIZER /DIRT/CF FAIL /SURFACE STAINS | BUBBLE ON THE POLARIZER | $D \leq 0.25$ | IGNORE |
| | | | $0.25 < D \leq 0.5$ | $N \leq 5$ |
| | | | $0.5 < D$ | NOTE |
| | | SURFACE STATUS | $D < 0.1 \text{ mm}$ | IGNORE |
| | | | $0.1 < D \leq 0.3\text{mm}$ | $N \leq 3$ |
| | | CF FAIL / SPOT | $D < 0.1 \text{ mm}$ | IGNORE |
| $0.1 < D \leq 0.3\text{mm}$ | $N \leq 3$ | | | |
| | | <p>NOTE : (1)POLARIZER BUBBLE IS DEFINED AS THE BUBBLE APPEARS ON ACTIVE DISPLAY AREA. THE DEFECT OF POLARIZER BUBBLE SHALL BE IGNORED IF THE POLARIZER BUBBLE APPEARS ON THE OUTSIDE OF ACTIVE DISPLAY AREA.</p> <p>(2)THE EXTRANEIOUS SUBSTANCE IS DEFINED AS IT CAN BE OBSERVED WHEN THE MODULE IS POWER ON.</p> <p>(3)THE DEFINITION OF AVERAGE DIAMETER, D IS DEFINED AS FOLLOWING.</p> <p>AVERAGE DIAMETER (D)=(a+b)/2</p>  | | |
| 7. | LINE DEFECT ON DISPLAY | OBVIOUS VERTICAL OR HORIZONTAL LINE DEFECT IS NOT ALLOW | | |
| 8. | MURA ON DISPLAY | IT'S OK IF MURA IS SLIGHT VISIBLE THROUG 6% ND FILTER | | |
| 9. | UNEVEN COLOR SPREAD, COLORATION | (1)TO BE DETERMINED BASED UPON THE STANDARD SAMPLE. | | |
| 10. | BEZEL APPEARANCE | (1)BEZEL MAY NOT HAVE RUST, BE DEFORMED OR HAVE FINGER PRINTS STAINS OF OTHER CONTAMINATION. (2)BEZEL MUST COMPLY WITH JOB SPECIFICATIONS. | | |
| 11 | PCB | <p>(1)THERE MAY NOT BE MORE THAN 2mm OF SEALANT OUTSIDE THE SEAL AREA ON THE PCB, AND THERE SHOULD BE NO MORE THAN THREE PLACES.</p> <p>(2)NO OXIDATION OR CONTAMINATION PCB TERMINALS.</p> <p>(3)PARTS ON PCB MUST BE THE SAME AS ON THE PRODUCTION CHARACTERISTIC CHART. THERE SHOULD BE NO WRONG PARTS, MISSING PARTS OR EXCESS PARTS.</p> <p>(4)THE JUMPER ON THE PCB SHOULD CONFORM TO THE PRODUCT CHARACTERISTIC CHART.</p> <p>(5)IF SOLDER GETS ON BEZEL TAB PADS, LED PAD, ZEBRA PAD OR SCREW HOLD PAD, MAKE SURE IT IS SMOOTHED DOWN.</p> | | |

| NO. | ITEM | CRITERIA |
|-----|-----------|---|
| 12. | SOLDERING | <p>(1) NO SOLDERING FOUND ON THE SPECIFIED PLACE</p> <p>(2) INSUFFICIENT SOLDER</p> <p>(a) LSI, IC A POOR WETTING OF SOLDER IS BETWEEN LOWER BEND OR "HEEL" OF LEAD AND PAD</p>  <p>(b) CHIP COMPONENT • SOLDER IS LESS THAN 50% OF SIDES AND FRONT FACE WETTING</p>  <p>• SOLDER WETS 3 SIDES OF TERMINAL, BUT LESS THAN 25% OF SIDES AND FRONT SURFACE AREA ARE COVERED</p>  <p>(3) PARTS ALIGNMENT</p> <p>(a) LSI, IC LEAD WIDTH IS MORE THAN 50% BEYOND PAD OUTLINE</p>  |

| NO. | ITEM | CRITERIA |
|-----|-----------------------|--|
| 12. | SOLDERING | <p>(b)CHIP COMPONENT COMPONENT IS OFF CENTER, AND MORE THAN 50% OF THE LEADS IS OFF THE PAD OUTLINE</p>  <p>(4)NO UNMELTED SOLDER PASTE MAY BE PRESENT ON THE PCB. (5)NO COLD SOLDER JOINTS, MISSING SOLDER CONNECTIONS, OXIDATION OR ICICLE. (6)NO RESIDUE OR SOLDER BALLS ON PCB. (7)NO SHORT CIRCUITS IN COMPONENTS ON PCB.</p> |
| 13. | BACKLIGHT | <p>(1)NO LIGHT (2)FLICKERING AND OTHER ABNORMAL ILLUMINATION (3)SPOTS OR SCRATCHES THAT APPEAR WHEN LIT MUST BE JUDGED USING LCD SPOT, LINES AND CONTAMINATION STANDARDS. (4)BACKLIGHT DOESN'T LIGHT OR COLOR IS WRONG.</p> |
| 14. | GENERAL APPEARANCE | <p>(1)NO OXIDATION, CONTAMINATION, CURVES OR, BENDS ON INTERFACE PIN (OLB) OF TCP. (2)NO CRACKS ON INTERFACE PIN (OLB) OF TCP. (3)NO CONTAMINATION, SOLDER RESIDUE OR SOLDER BALLS ON PRODUCT. (4)THE IC ON THE TCP MAY NOT BE DAMAGED, CIRCUITS. (5)THE UPPERMOST EDGE OF THE PROTECTIVE STRIP ON THE INTERFACE PIN MUST BE PRESENT OR LOOK AS IF IT CAUSE THE INTERFACE PIN TO SEVER. (6)THE RESIDUAL ROSIN OR TIN OIL OF SOLDERING (COMPONENT OR CHIP COMPONENT) IS NOT BURNED INTO BROWN OR BLACK COLOR. (7)SEALANT ON TOP OF THE ITO CIRCUIT HAS NOT HARDENED. (8)PIN TYPE MUST MATCH TYPE IN SPECIFICATION SHEET. (9)LCD PIN LOOSE OR MISSING PINS. (10)PRODUCT PACKAGING MUST THE SAME AS SPECIFIED ON PACKAGING SPECIFICATION SHEET. (11)PRODUCT DIMENSION AND STRUCTURE MUST CONFORM TO PRODUCT SPECIFICATION SHEET. (12)THE APPEARANCE OF HEAT SEAL SHOULD NOT ADMIT ANY DIRT AND BREAK.</p> |

| NO. | ITEM | CRITERIA | | | | | | | | | |
|--|---------------------|---|----------------|-------------|---------------------|-------------|----------------|-------------|------------------|------------|-------------|
| 15. | CRACKED GLASS | <p>THE LCD WITH EXTENSIVE CRACK IS NOT ACCEPTABLE</p> <p>GENERAL GLASS CHIP :</p>  <table border="1"> <thead> <tr> <th>a</th> <th>b</th> <th>c</th> </tr> </thead> <tbody> <tr> <td>$\leq t/2$</td> <td>< VIEWING AREA</td> <td>$\leq 1/8X$</td> </tr> <tr> <td>$t/2 >, \leq 2t$</td> <td>$\leq W/2$</td> <td>$\leq 1/8X$</td> </tr> </tbody> </table> <p>*W=DISTANCE BETWEEN SEALANT AREA AND LCD PANEL EDGE X = LCD SIDE LENGTH t = GLASS THICKNESS</p> | a | b | c | $\leq t/2$ | < VIEWING AREA | $\leq 1/8X$ | $t/2 >, \leq 2t$ | $\leq W/2$ | $\leq 1/8X$ |
| | | a | b | c | | | | | | | |
| | | $\leq t/2$ | < VIEWING AREA | $\leq 1/8X$ | | | | | | | |
| | | $t/2 >, \leq 2t$ | $\leq W/2$ | $\leq 1/8X$ | | | | | | | |
| | | <p>CORNER PART :</p>  <table border="1"> <thead> <tr> <th>a</th> <th>b</th> <th>c</th> </tr> </thead> <tbody> <tr> <td>$\leq t/2$</td> <td>< VIEWING AREA</td> <td>$\leq 1/8X$</td> </tr> <tr> <td>$> t/2, \leq 2t$</td> <td>$\leq W/2$</td> <td>$\leq 1/8X$</td> </tr> </tbody> </table> <p>*W=DISTANCE BETWEEN SEALANT AREA AND LCD PANEL EDGE X = LCD SIDE LENGTH t = GLASS THICKNESS</p> | a | b | c | $\leq t/2$ | < VIEWING AREA | $\leq 1/8X$ | $> t/2, \leq 2t$ | $\leq W/2$ | $\leq 1/8X$ |
| a | b | c | | | | | | | | | |
| $\leq t/2$ | < VIEWING AREA | $\leq 1/8X$ | | | | | | | | | |
| $> t/2, \leq 2t$ | $\leq W/2$ | $\leq 1/8X$ | | | | | | | | | |
| <p>CHIP ON ELECTRODE PAD</p>  <table border="1"> <thead> <tr> <th>a</th> <th>b</th> <th>c</th> </tr> </thead> <tbody> <tr> <td>$\leq t$</td> <td>$\leq 0.5\text{mm}$</td> <td>$\leq 1/8X$</td> </tr> </tbody> </table> <p>* X=LCD SIDE WIDTH t=GLASS THICKNESS</p> | a | b | c | $\leq t$ | $\leq 0.5\text{mm}$ | $\leq 1/8X$ | | | | | |
| a | b | c | | | | | | | | | |
| $\leq t$ | $\leq 0.5\text{mm}$ | $\leq 1/8X$ | | | | | | | | | |
|  <table border="1"> <thead> <tr> <th>a</th> <th>b</th> <th>c</th> </tr> </thead> <tbody> <tr> <td>$\leq t$</td> <td>$\leq 1/8X$</td> <td>$\leq L$</td> </tr> </tbody> </table> <p>*X=LCD SIDE WIDTH t = GLASS THICKNESS L=ELECTRODE PAD LENGTH</p> <p>①IF GLASS CHIPPING THE ITO TERMINAL, OVER 2/3 OF THE ITO MUST REMAIN AND BE, INSPECTED ACCORDING TO ELECTRODE TERMINAL SPECIFICATIONS</p> <p>②IF THE PRODUCT WILL BE HEAT SEALED BY THE CUSTOMER, THE ALIGNMENT MARK MUST NOT BE DAMAGED</p> | a | b | c | $\leq t$ | $\leq 1/8X$ | $\leq L$ | | | | | |
| a | b | c | | | | | | | | | |
| $\leq t$ | $\leq 1/8X$ | $\leq L$ | | | | | | | | | |

13.4 RELIABILITY TEST

13.4.1 STANDARD SPECIFICATIONS FOR RELIABILITY OF LCD MODULE

| NO | ITEM | DESCRIPTION |
|----|--|--|
| 1 | HIGH TEMPERATURE OPERATION | THE SAMPLE SHOULD BE ALLOWED TO STAND AT +60°C FOR 240 HRS |
| 2 | LOW TEMPERATURE OPERATION | THE SAMPLE SHOULD BE ALLOWED TO STAND AT -10°C FOR 240 HRS |
| 3 | HIGH TEMPERATURE STORAGE | THE SAMPLE SHOULD BE ALLOWED TO STAND AT +70°C FOR 240 HRS |
| 4 | LOW TEMPERATURE STORAGE | THE SAMPLE SHOULD BE ALLOWED TO STAND AT -20°C FOR 240 HRS |
| 5 | HIGH TEMP / HUMIDITY TEST STORAGE | THE SAMPLE SHOULD BE ALLOWED TO STAND AT 60°C , 90% RH 240 HRS |
| 6 | THERMAL SHOCK (NOT OPERATED) | THE SAMPLE SHOULD BE ALLOWED TO STAND THE FOLLOWING 25 CYCLES OF OPERATION: -20°C FOR 60 MINUTES ~ +70°C FOR 60 MINUTES |
| 7 | ESD (ELECTROSTATIC DISCHARGE) (NOT OPERATED) | AIR DISCHARGE ± 12KV CONTACT DISCHARGE ± 8KV |

NOTE (1) : THE TEST SAMPLES HAVE RECOVERY TIME FOR 2 HOURS AT ROOM TEMPERATURE BEFORE THE FUNCTION CHECK. IN THE STANDARD CONDITIONS, THERE IS NO DISPLAY FUNCTIONING ISSUE OCCURRED.

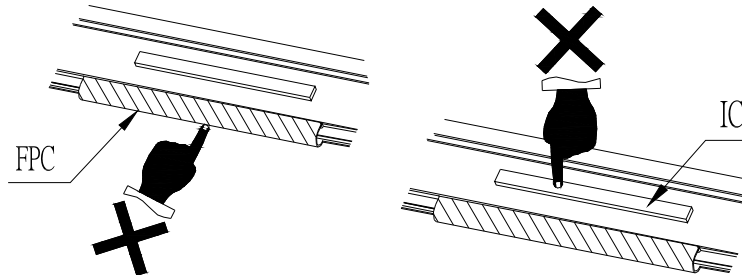
13.5 TESTING CONDITIONS AND INSPECTION CRITERIA

FOR THE FINAL TEST THE TESTING SAMPLE MUST BE STORED AT ROOM TEMPERATURE FOR 24 HOURS, AFTER THE TESTS LISTED IN TABLE 12.5, STANDARD SPECIFICATIONS FOR RELIABILITY HAVE BEEN EXECUTED IN ORDER TO ENSURE STABILITY.

| NO | ITEM | TEST MODEL | INSPECTION CRITERIA |
|----|---------------------|------------------------|--|
| 1 | CURRENT CONSUMPTION | REFER TO SPECIFICATION | THE CURRENT CONSUMPTION SHOULD CONFORM TO THE PRODUCT SPECIFICATION. |
| 2 | CONTRAST | REFER TO SPECIFICATION | AFTER THE TESTS HAVE BEEN EXECUTED, THE CONTRAST MUST BE LARGER THAN HALF OF ITS INITIAL VALUE PRIOR TO THE TESTS. |
| 3 | APPEARANCE | VISUAL INSPECTION | DEFECT FREE |

13.6 OPERATION

- 13.6.1 DO NOT CONNECT OR DISCONNECT MODULES TO OR FROM THE MAIN SYSTEM WHILE POWER IS BEING SUPPLIED .
- 13.6.2 USE THE MODULE WITHIN SPECIFIED TEMPERATURE ; LOWER TEMPERATURE CAUSES THE RETARDATION OF BLINKING SPEED OF THE DISPLAY ; HIGHER TEMPERATURE MAKES OVERALL DISPLAY DISCOLOR . WHEN THE TEMPERATURE RETURNS TO NORMALITY, THE DISPLAY WILL OPERATE NORMALLY .
- 13.6.3 ADJUST THE LC DRIVING VOLTAGE TO OBTAIN THE OPTIMUM CONTRAST .
- 13.6.4 POWER ON SEQUENCE INPUT SIGNALS SHOULD NOT BE SUPPLIED TO LCD MODULE BEFORE POWER SUPPLY VOLTAGE IS APPLIED AND REACHES THE SPECIFIED VALUE. IF ABOVE SEQUENCE IS NOT FOLLOWED , CMOS LSIS OF LCD MODULES MAY BE DAMAGED DUE TO LATCH - UP PROBLEM .
- 13.6.5 NOT ALLOWED TO INFLICT ANY EXTERNAL STRESS AND TO CAUSE ANY MECHANICAL INTERFERENCE ON THE BENDING AREA OF FPC DURING THE TAIL BENDING BACKWARDS!
DO NOT STRESS FPC AND IC ON THE MODULE!



13.7 NOTICE

- 13.7.1 USE A GROUNDED SOLDERING IRON WHEN SOLDERING CONNECTOR I/O TERMINALS . FOR SOLDERING OR REPAIRING, TAKE PRECAUTION AGAINST THE TEMPERATURE OF THE SOLDERING IRON AND THE SOLDERING TIME TO PREVENT PEELING OFF THE THROUGH-HOLE-PAD .
- 13.7.2 DO NOT DISASSEMBLE . EDT SHALL NOT BE HELD RESPONSIBLE IF THE MODULE IS DISASSEMBLED AND UPON THE REASSEMBLY THE MODULE FAILED .
- 13.7.3 DO NOT CHARGE STATIC ELECTRICITY , AS THE CIRCUIT OF THIS MODULE CONTAINS CMOS LSIS. A WORKMAN'S BODY SHOULD ALWAYS BE STATIC-PROTECTED BY USE OF AN ESD STRAP. WORKING CLOTHES FOR SUCH PERSONNEL SHOULD BE OF STATIC -PROTECTED MATERIAL .
- 13.7.4 ALWAYS GROUND THE ELECTRICALLY-POWERED DRIVER BEFORE USING IT TO INSTALL THE LCD MODULE. WHILE CLEANING THE WORK STATION BY VACUUM CLEANER, DO NOT BRING THE SUCKING MOUTH NEAR THE MODULE ; STATIC ELECTRICITY OF THE ELECTRICALLY-POWERED DRIVER OR THE VACUUM CLEANER MAY DESTROY THE MODULE .
- 13.7.5 DON'T GIVE EXTERNAL SHOCK.
- 13.7.6 DON'T APPLY EXCESSIVE FORCE ON THE SURFACE.
- 13.7.7 LIQUID IN LCD IS HAZARDOUS SUBSTANCE. MUST NOT LICK AND SWALLOW. WHEN THE LIQUID IS ATTACH TO YOUR, SKIN, CLOTH ETC. WASH IT OUT THOROUGHLY AND IMMEDIATELY.
- 13.7.8 DON'T OPERATE IT ABOVE THE ABSOLUTE MAXIMUM RATING.
- 13.7.9 STORAGE IN A CLEAN ENVIRONMENT, FREE FROM DUST, ACTIVE GAS, AND SOLVENT.
- 13.7.10 STORE WITHOUT ANY PHYSICAL LOAD.
- 13.7.11 REWIRING: NO MORE THAN 3 TIMES.