

## BATTERY PROTECTION IC WITH CELL-BALANCE FUNCTION

The S-8209A Series is a protection IC for lithium-ion / lithium polymer rechargeable batteries and includes a high-accuracy voltage detection circuit and a delay circuit.

This IC has a transmission function and two types of cell-balance function so that users are also able to configure a protection circuit with series multi-cell.

### ■ Features

- (1) High-accuracy voltage detection circuit
 

• Overcharge detection voltage <sup>*1</sup>	3.55 V to 4.40 V (5 mV step)	Accuracy ±25 mV
• Overcharge release voltage <sup>*1</sup>	3.50 V to 4.40 V <sup>*2</sup>	Accuracy ±50 mV
• Cell-balance detection voltage <sup>*1</sup>	3.55 V to 4.40 V (5 mV step) <sup>*3</sup>	Accuracy ±25 mV
• Cell-balance release voltage <sup>*1</sup>	3.50 V to 4.40 V <sup>*4</sup>	Accuracy ±50 mV
• Overdischarge detection voltage	2.0 V to 3.0 V (10 mV step)	Accuracy ±50 mV
• Overdischarge detection voltage	2.0 V to 3.4 V <sup>*5</sup>	Accuracy ±100 mV
- (2) Settable delay time by external capacitor for output pin
- (3) Control charging, discharging, cell-balance by CTLC, CTLD pins
- (4) Two types of cell-balance function; charge/discharge<sup>\*6</sup>
- (5) Wide range of operation temperature    -40°C to +85°C
- (6) Low current consumption                 7.0 μA max.
- (7) Lead-free, Sn 100%, halogen-free<sup>\*7</sup>

\*1. Regarding selection of overcharge detection voltage, overcharge release voltage, cell-balance detection voltage and cell-balance release voltage, refer to **Remark 3** in “**■ Product Name Structure, 3. Product Name list**”.

\*2. Overcharge release voltage = Overcharge detection voltage – Overcharge hysteresis voltage  
(Overcharge hysteresis voltage is selectable in 0 V to 0.4 V, in 50 mV step.)

\*3. Select as to overcharge detection voltage > cell-balance detection voltage.

\*4. Cell-balance release voltage = Cell-balance detection voltage – Cell-balance hysteresis voltage  
(Cell-balance hysteresis voltage is selectable in 0 V to 0.4 V, in 50 mV step.)

\*5. Overdischarge release voltage = Overdischarge detection voltage + Overdischarge hysteresis voltage  
(Overdischarge hysteresis voltage is selectable in 0 V to 0.7 V, in 100 mV step.)

\*6. Also available the product without discharge cell-balance function

\*7. Refer to “**■ Product Name Structure**” for details.

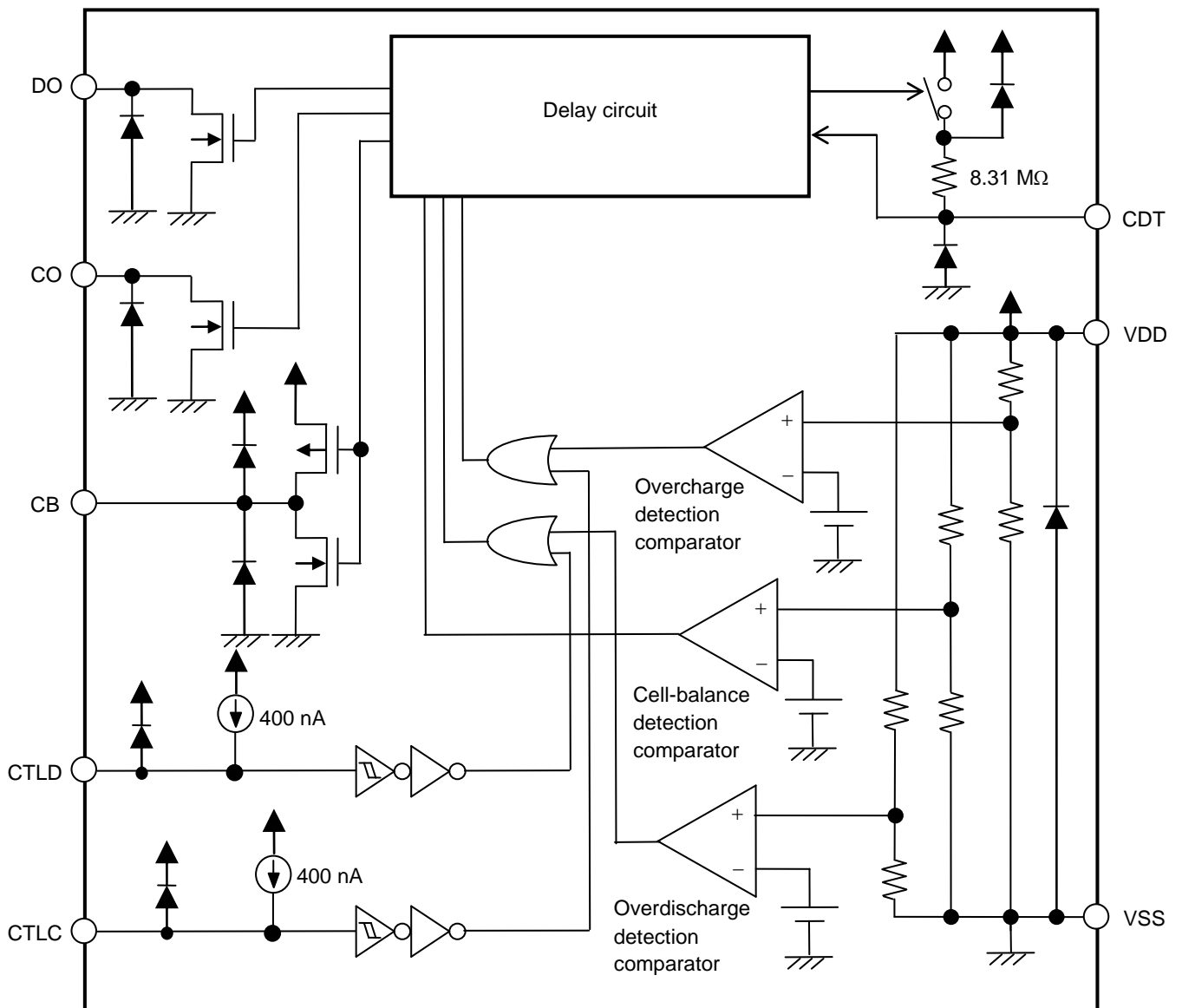
### ■ Applications

- Lithium-ion rechargeable battery packs
- Lithium polymer rechargeable battery packs

### ■ Packages

- SNT-8A
- 8-Pin TSSOP

■ **Block Diagram**



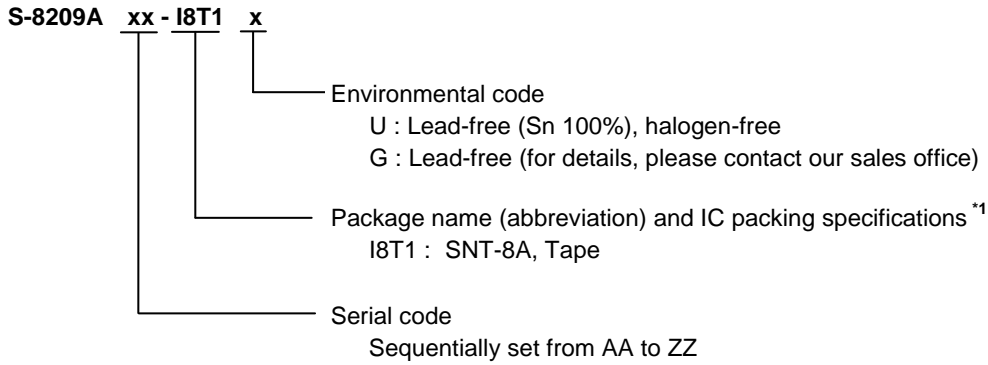
**Remark** The diodes in the IC are parasitic diodes.

**Figure 1**

■ Product Name Structure

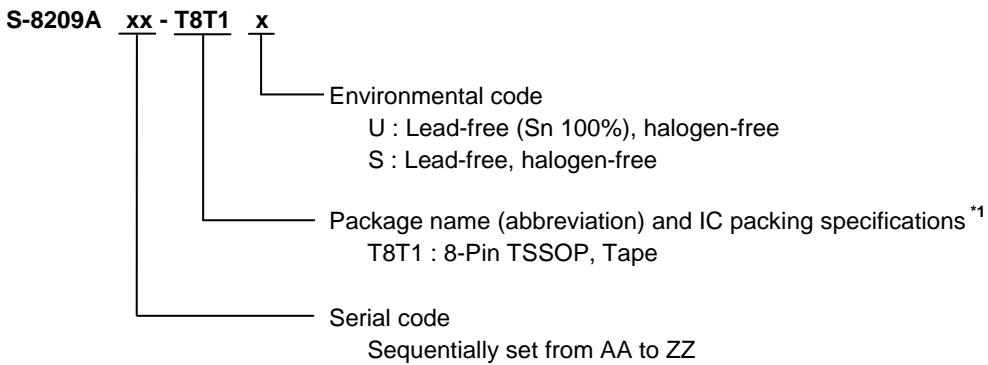
1. Product Name

(1) SNT-8A



\*1. Refer to the tape specifications at the end of this book.

(2) 8-Pin TSSOP



\*1. Refer to the tape specifications at the end of this book.

2. Package

Package Name	Drawing Code			
	Package	Tape	Reel	Land
SNT-8A	PH008-A-P-SD	PH008-A-C-SD	PH008-A-R-SD	PH008-A-L-SD
8-Pin TSSOP	Environmental code = S	FT008-A-P-SD	FT008-E-C-SD	FT008-E-R-SD
	Environmental code = U	FT008-A-P-SD	FT008-E-C-SD	FT008-E-R-S1

**3. Product Name List**

**(1) SNT-8A**

**Table 1**

Product name / Item	Overcharge detection voltage [V <sub>cu</sub> ]	Overcharge release voltage [V <sub>cl</sub> ]	Cell-balance detection voltage [V <sub>bu</sub> ]	Cell-balance release voltage [V <sub>bl</sub> ]	Overdischarge detection voltage [V <sub>dl</sub> ]	Overdischarge release voltage [V <sub>du</sub> ]	Discharge cell-balance function
S-8209AAA-I8T1x	4.100 V	4.000 V	4.050 V	4.000 V	2.50 V	2.70 V	Yes
S-8209AAF-I8T1x	4.250 V	4.100 V	4.100 V	4.000 V	2.75 V	3.05 V	Yes
S-8209AAG-I8T1x	3.900 V	3.600 V	3.550 V	3.500 V	2.00 V	2.40 V	Yes
S-8209AAH-I8T1x	3.900 V	3.700 V	3.600 V	3.600 V	2.50 V	2.80 V	No

**(2) 8-Pin TSSOP**

**Table 2**

Product name / Item	Overcharge detection voltage [V <sub>cu</sub> ]	Overcharge release voltage [V <sub>cl</sub> ]	Cell-balance detection voltage [V <sub>bu</sub> ]	Cell-balance release voltage [V <sub>bl</sub> ]	Overdischarge detection Voltage [V <sub>dl</sub> ]	Overdischarge release voltage [V <sub>du</sub> ]	Discharge cell-balance function
S-8209AAA-T8T1y	4.100 V	4.000 V	4.050 V	4.000 V	2.50 V	2.70 V	Yes
S-8209AAB-T8T1y	3.800 V	3.750 V	3.650 V	3.600 V	2.00 V	2.50 V	Yes
S-8209AAC-T8T1y	3.900 V	3.500 V	3.550 V	3.550 V	2.50 V	2.70 V	Yes
S-8209AAD-T8T1y	4.250 V	4.100 V	4.200 V	4.100 V	2.50 V	3.00 V	Yes
S-8209AAE-T8T1y	4.000 V	3.900 V	3.950 V	3.900 V	2.50 V	2.70 V	Yes
S-8209AAF-T8T1y	4.250 V	4.100 V	4.100 V	4.000 V	2.75 V	3.05 V	Yes

**Remark 1.** x: G or U  
y: S or U

**2.** Please select products of environmental code = U for Sn 100%, halogen-free products.

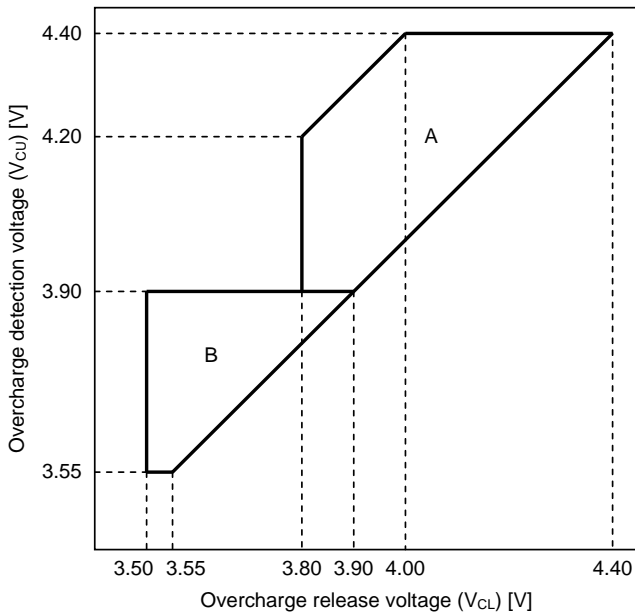
3. Please contact our sales office for the products with detection voltage value other than those specified above.

Users are able to select the overcharge detection voltage, overcharge release voltage, cell-balance detection voltage and cell-balance release voltage from the range shown in **Figure 2** and **3**.

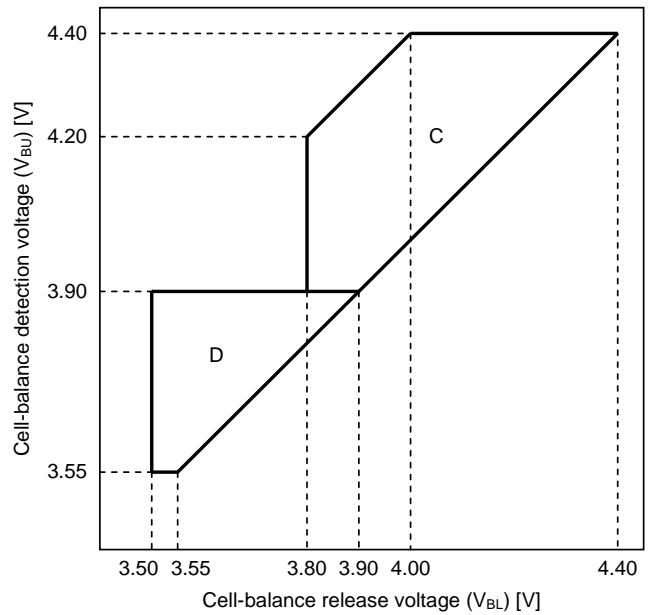
Users are able to select how to combine the overcharge detection voltage ( $V_{CU}$ ) and the overcharge release voltage ( $V_{CL}$ ) from the range A or B shown in **Figure 2**<sup>\*1</sup>.

Similarly, select how to combine the cell-balance detection voltage ( $V_{BU}$ ) and the cell-balance release voltage ( $V_{BL}$ ) from the range of C or D in **Figure 3**<sup>\*2</sup>.

In selecting the combination of  $V_{CU}$  and  $V_{CL}$  from the range A, select the combination of  $V_{BU}$  and  $V_{BL}$  from the range C. Similarly, in selecting the combination of  $V_{CU}$  and  $V_{CL}$  from the B range, select the combination of  $V_{BU}$  and  $V_{BL}$  from the range D<sup>\*3</sup>.



**Figure 2**



**Figure 3**

- \*1. Users are able to select the overcharge hysteresis voltage ( $V_{CU} - V_{CL}$ ) in 0 V to 0.4 V, in 50 mV step.
- \*2. Users are able to select the cell-balance hysteresis voltage ( $V_{BU} - V_{BL}$ ) in 0 V to 0.4 V, in 50 mV step.
- \*3. Select as to set  $V_{CU} > V_{BU}$ .

■ Pin Configurations

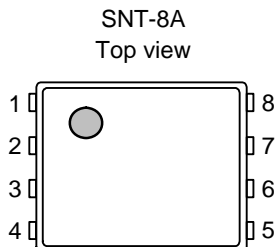


Figure 4

Table 3

Pin No.	Symbol	Description
1	CTLC	Pin for charge control
2	CTLD	Pin for discharge control
3	VDD	Connection pin for input positive power supply, for battery's positive voltage
4	CDT	Connection pin to capacitor for overcharge detection delay, for overdischarge detection delay
5	VSS	Input pin for negative power supply, Connection pin for battery's negative voltage
6	DO	Output pin for discharge control (Nch open drain output)
7	CO	Output pin for charge control (Nch open drain output)
8	CB	Output pin for cell-balance control (CMOS output)

**Remark** For the external views, refer to the package drawings.

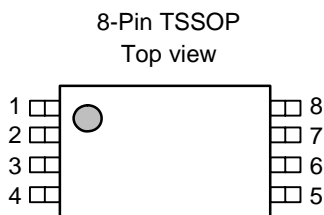


Figure 5

Table 4

Pin No.	Symbol	Description
1	CTLC	Pin for charge control
2	CTLD	Pin for discharge control
3	VDD	Connection pin for input positive power supply, for battery's positive voltage
4	CDT	Connection pin to capacitor for overcharge detection delay, for overdischarge detection delay
5	VSS	Input pin for negative power supply, Connection pin for battery's negative voltage
6	DO	Output pin for discharge control (Nch open drain output)
7	CO	Output pin for charge control (Nch open drain output)
8	CB	Output pin for cell-balance control (CMOS output)

**Remark** For the external views, refer to the package drawings.

■ **Absolute Maximum Ratings**

**Table 5**

(Ta = 25°C unless otherwise specified)

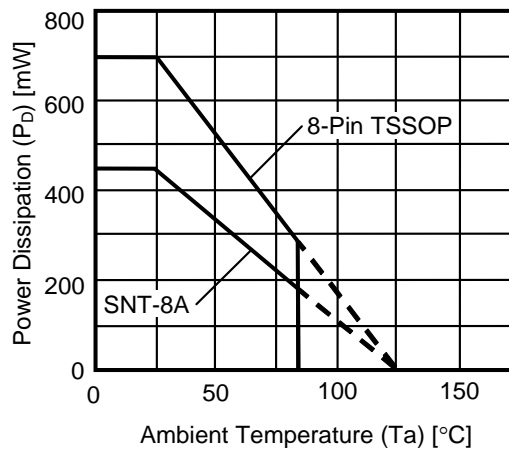
Item	Symbol	Applied pin	Absolute Maximum Ratings	Unit	
Input voltage between VDD and VSS	V <sub>DS</sub>	VDD	V <sub>SS</sub> -0.3 to V <sub>SS</sub> +12	V	
CB pin output voltage	V <sub>CB</sub>	CB	V <sub>SS</sub> -0.3 to V <sub>DD</sub> +0.3	V	
CDT pin voltage	V <sub>CDT</sub>	CDT	V <sub>SS</sub> -0.3 to V <sub>DD</sub> +0.3	V	
DO pin output voltage	V <sub>DO</sub>	DO	V <sub>SS</sub> -0.3 to V <sub>SS</sub> +24	V	
CO pin output voltage	V <sub>CO</sub>	CO	V <sub>SS</sub> -0.3 to V <sub>SS</sub> +24	V	
CTLC pin input voltage	V <sub>CTLC</sub>	CTLC	V <sub>DD</sub> -24 to V <sub>DD</sub> +0.3	V	
CTLD pin input voltage	V <sub>CTLD</sub>	CTLD	V <sub>DD</sub> -24 to V <sub>DD</sub> +0.3	V	
Power dissipation	SNT-8A	P <sub>D</sub>	-	450 <sup>*1</sup>	mW
	8-Pin TSSOP			700 <sup>*1</sup>	mW
Operating ambient temperature	T <sub>opr</sub>	-	-40 to +85	°C	
Storage temperature	T <sub>stg</sub>	-	-55 to +125	°C	

\*1. When mounted on board

**[Mounted board]**

- (1) Board size: 114.3 mm × 76.2 mm × t1.6 mm
- (2) Board name: JEDEC STANDARD51-7

**Caution** The absolute maximum ratings are rated values exceeding which the product could suffer physical damage. These values must therefore not be exceeded under any conditions.



**Figure 6 Power Dissipation of Package (When mounted on board)**

■ **Electrical Characteristics**

**Table 6**

(Ta = 25°C unless otherwise specified)

Item	Symbol	Condition	Min.	Typ.	Max.	Unit	Test circuit
Overcharge detection voltage	V <sub>CU</sub>	–	V <sub>CU</sub> –0.025	V <sub>CU</sub>	V <sub>CU</sub> +0.025	V	1
Overcharge release voltage	V <sub>CL</sub>	–	V <sub>CL</sub> –0.05	V <sub>CL</sub>	V <sub>CL</sub> +0.05	V	1
Cell-balance detection voltage	V <sub>BU</sub>	–	V <sub>BU</sub> –0.025	V <sub>BU</sub>	V <sub>BU</sub> +0.025	V	1
Cell-balance release voltage	V <sub>BL</sub>	–	V <sub>BL</sub> –0.05	V <sub>BL</sub>	V <sub>BL</sub> +0.05	V	1
Overdischarge detection voltage	V <sub>DL</sub>	–	V <sub>DL</sub> –0.05	V <sub>DL</sub>	V <sub>DL</sub> +0.05	V	1
Overdischarge release voltage	V <sub>DU</sub>	–	V <sub>DU</sub> –0.10	V <sub>DU</sub>	V <sub>DU</sub> +0.10	V	1
CDT pin resistance*1	R <sub>CDT</sub>	V <sub>DS</sub> = 3.5 V, V <sub>C<sub>CDT</sub></sub> = 0 V	4.76	8.31	10.9	MΩ	2
CDT pin detection voltage*1	V <sub>CDET</sub>	V <sub>DS</sub> = 3.5 V	V <sub>DS</sub> ×0.65	V <sub>DS</sub> ×0.70	V <sub>DS</sub> ×0.75	V	3
Operating voltage between VDD and VSS	V <sub>D<sub>SOP</sub></sub>	Output voltage of CO, DO, CB fixed	1.5	–	8.0	V	–
CTLC pin H voltage	V <sub>CTLCH</sub>	V <sub>DS</sub> = 3.5 V	V <sub>DS</sub> ×0.55	–	V <sub>DS</sub> ×0.90	V	4
CTLD pin H voltage	V <sub>CTLDH</sub>	V <sub>DS</sub> = 3.5 V	V <sub>DS</sub> ×0.55	–	V <sub>DS</sub> ×0.90	V	4
CTLC pin L voltage	V <sub>CTLCL</sub>	V <sub>DS</sub> = 3.5 V	V <sub>DS</sub> ×0.10	–	V <sub>DS</sub> ×0.45	V	4
CTLD pin L voltage	V <sub>CTLDL</sub>	V <sub>DS</sub> = 3.5 V	V <sub>DS</sub> ×0.10	–	V <sub>DS</sub> ×0.45	V	4
Current consumption during operation*2	I <sub>OP<sub>E</sub></sub>	V <sub>DS</sub> = 3.5 V	–	3.5	7.0	μA	5
Source current CTLC*2	I <sub>CTLCH</sub>	V <sub>DS</sub> = 3.5 V, V <sub>C<sub>CTLC</sub></sub> = 0 V	320	400	480	nA	6
Source current CTLD*2	I <sub>CTLDH</sub>	V <sub>DS</sub> = 3.5 V, V <sub>C<sub>CTLD</sub></sub> = 0 V	320	400	480	nA	6
Source current CB	I <sub>CBH</sub>	V <sub>CB</sub> = 4.0 V, V <sub>DS</sub> = 4.5 V	30	–	–	μA	7
Sink current CB	I <sub>CB<sub>L</sub></sub>	V <sub>CB</sub> = 0.5 V, V <sub>DS</sub> = 3.5 V	30	–	–	μA	7
Sink current CO	I <sub>COL</sub>	V <sub>CO</sub> = 0.5 V, V <sub>DS</sub> = 3.5 V	30	–	–	μA	7
Leakage current CO	I <sub>COH</sub>	V <sub>CO</sub> = 24 V, V <sub>DS</sub> = 4.5 V	–	–	0.1	μA	8
Sink current DO	I <sub>DOL</sub>	V <sub>DO</sub> = 0.5 V, V <sub>DS</sub> = 3.5 V	30	–	–	μA	7
Leakage current DO	I <sub>DOH</sub>	V <sub>DO</sub> = 24 V, V <sub>DS</sub> = 1.8 V	–	–	0.1	μA	8

\*1. In the S-8209A Series, users are able to set delay time for the output pins. By using the following formula, delay time is calculated with the value of CDT pin's resistance in the IC (R<sub>CDT</sub>) and the value of capacitor set externally at the CDT pin (C<sub>CDT</sub>).

$$\begin{aligned}
 t_D [s] &= -\ln(1 - V_{CDET} / V_{DS}) \times C_{CDT} [\mu F] \times R_{CDT} [M\Omega] \\
 &= -\ln(1 - 0.7 (\text{Typ.})) \times C_{CDT} [\mu F] \times 8.31 \text{ M}\Omega (\text{Typ.}) \\
 &= 10.0 \text{ M}\Omega (\text{Typ.}) \times C_{CDT} [\mu F]
 \end{aligned}$$

In case of the capacitance of CDT pin C<sub>CDT</sub> = 0.01 μF, the output pin delay time t<sub>D</sub> is calculated by using the above formula and as follows.

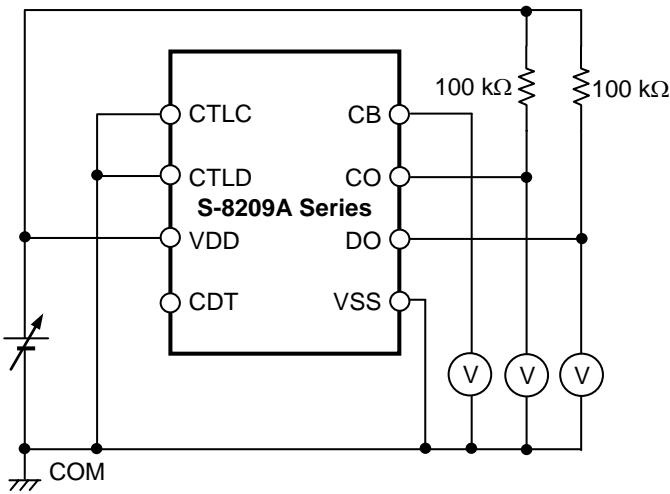
$$t_D [s] = 10.0 \text{ M}\Omega (\text{Typ.}) \times 0.01 \mu F = 0.1 \text{ s} (\text{Typ.})$$

Test R<sub>CDT</sub> and the CDT pin detection voltage (V<sub>CDET</sub>) by test circuits shown in this datasheet after applying the power supply while pulling-down the CTLC, CTLD pins to the level of VSS pin outside the IC.

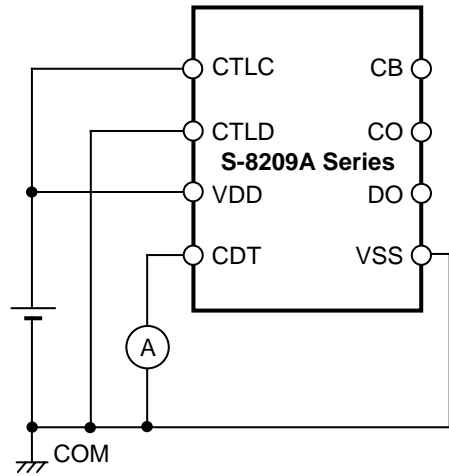
\*2. In case of using CTLC, CTLD pins pulled-down to the level of VSS pin externally, the current flows into the VDD pin (I<sub>DD</sub>) is calculated by the following formula.

$$I_{DD} = I_{OP<sub>E</sub>} + I_{CTLCH} + I_{CTLDH}$$

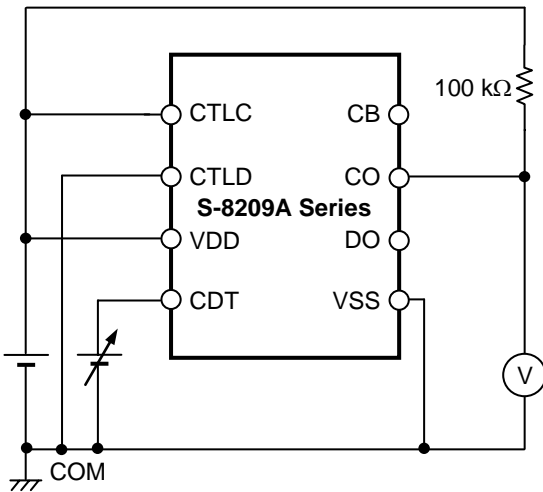
■ **Test Circuits**



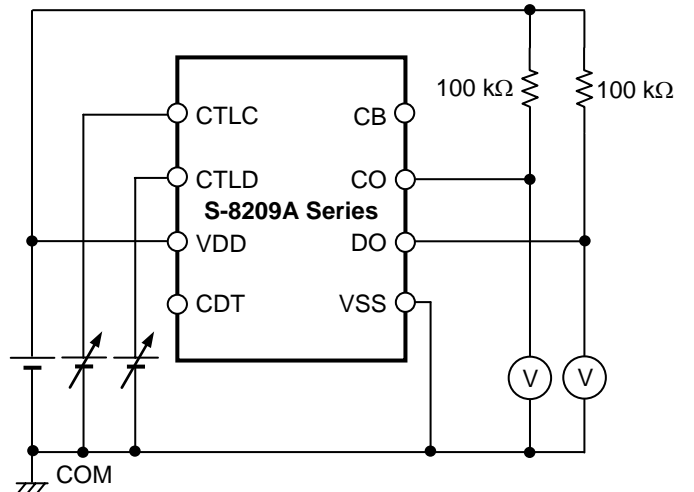
**Figure 7 Test circuit 1**



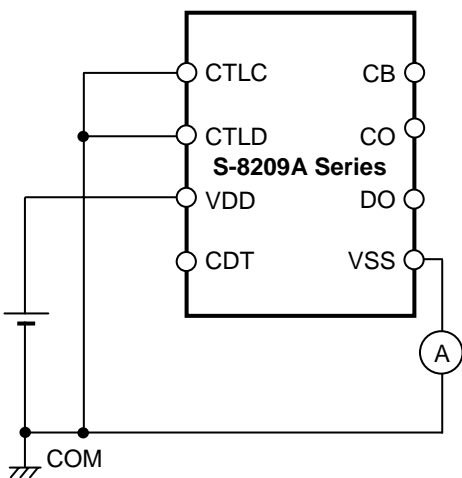
**Figure 8 Test circuit 2**



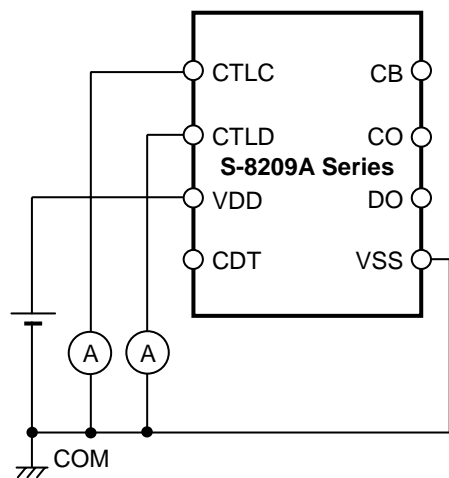
**Figure 9 Test circuit 3**



**Figure 10 Test circuit 4**



**Figure 11 Test circuit 5**



**Figure 12 Test circuit 6**

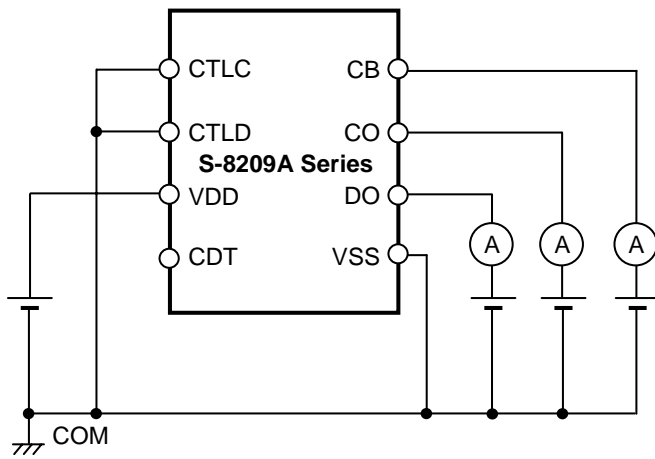


Figure 13 Test circuit 7

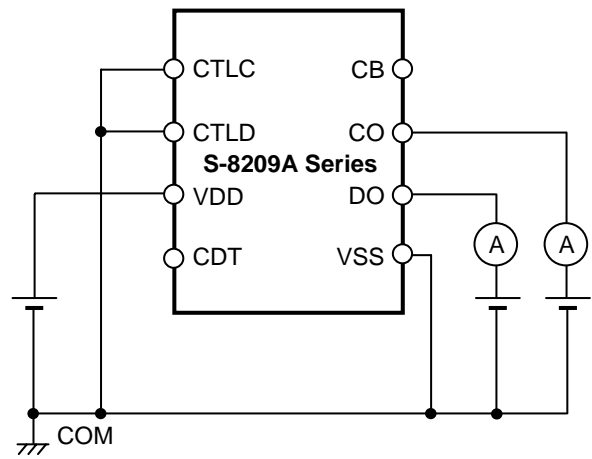


Figure 14 Test circuit 8

■ **Operation**

Figure 15 shows the operation transition of S-8209A.

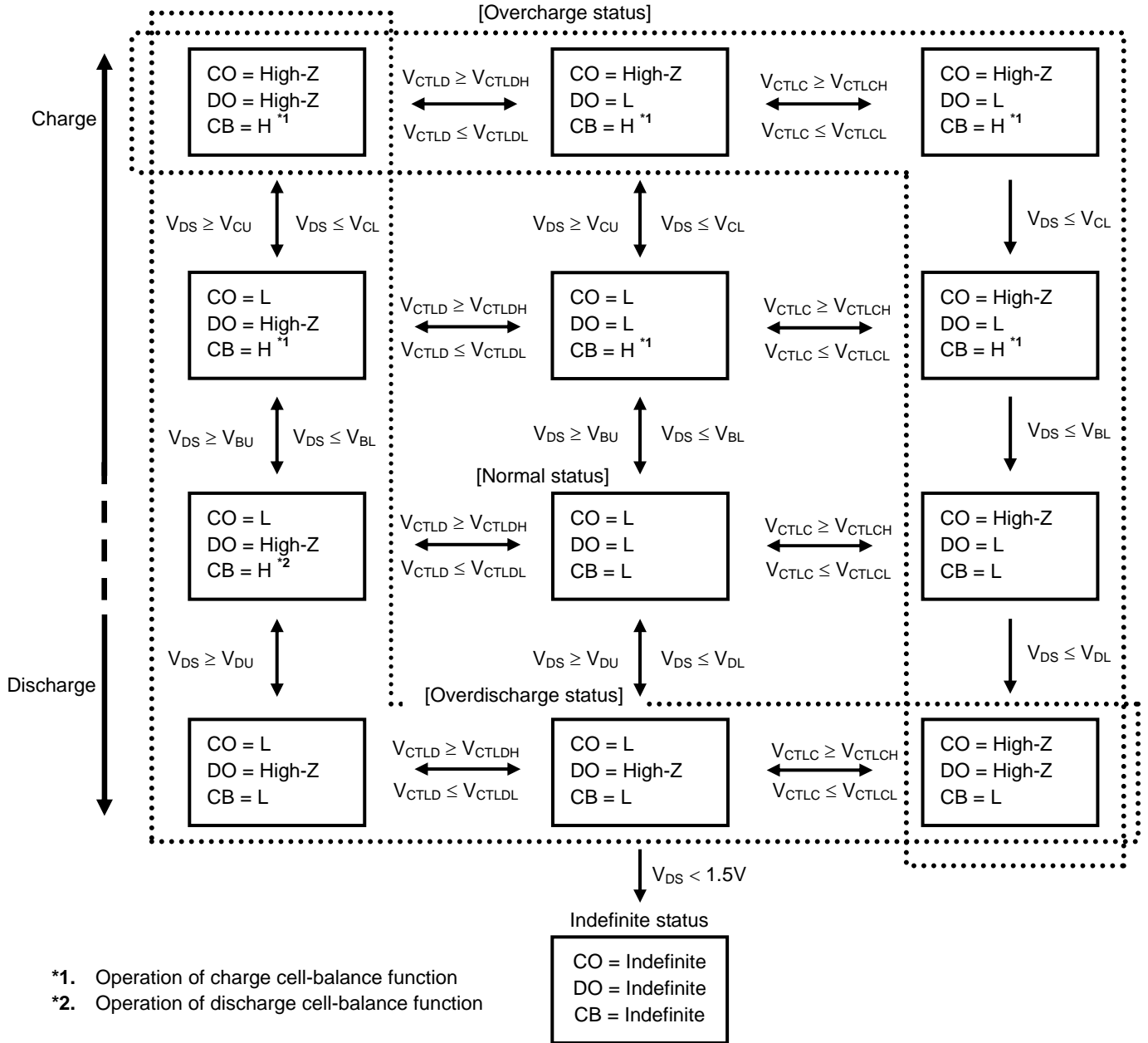


Figure 15 Operation Transition

### 1. Normal Status

In the S-8209A Series, both of CO and DO pin get the  $V_{SS}$  level; the voltage between VDD and VSS ( $V_{DS}$ ) is more than the overdischarge detection voltage ( $V_{DL}$ ), and is less than the overcharge detection voltage ( $V_{CU}$ ) and respectively, the CTLC pin input voltage ( $V_{CTLC}$ ) < the CTLC pin voltage "H" ( $V_{CTLCH}$ ), the CTLD pin input voltage ( $V_{CTLD}$ ) < the CTLD pin voltage "H" ( $V_{CTLDH}$ ). This is the normal status.

### 2. Overcharge Status

In the S-8209A Series, the CO pin is in high impedance; when  $V_{DS}$  gets  $V_{CU}$  or more, or  $V_{CTLC}$  gets  $V_{CTLCH}$  or more. This is the overcharge status.

If  $V_{DS}$  gets the overcharge release voltage ( $V_{CL}$ ) or less, and  $V_{CTLC}$  gets the CTLC pin voltage "L" ( $V_{CTLCL}$ ) or less, the S-8209A Series releases the overcharge status to return to the normal status.

### 3. Overdischarge Status

In the S-8209A Series, the DO pin is in high impedance; when  $V_{DS}$  gets  $V_{DL}$  or less, or  $V_{CTLD}$  gets  $V_{CTLDH}$  or more. This is the overdischarge status.

If  $V_{DS}$  gets the overdischarge release voltage ( $V_{DU}$ ) or more, and  $V_{CTLD}$  gets the CTLD pin voltage "L" ( $V_{CTLDL}$ ) or less, the S-8209A Series releases the overdischarge status to return to the normal status.

### 4. Cell-balance Function

In the S-8209A Series, the CB pin gets the level of VDD pin; when  $V_{DS}$  gets the cell-balance detection voltage ( $V_{BU}$ ) or more. This is the charge cell-balance function.

If  $V_{DS}$  gets the cell-balance release voltage ( $V_{BL}$ ) or less again, the S-8209A Series sets the CB pin the level of  $V_{SS}$  pin.

In addition, the CB pin gets the level of VDD pin; when  $V_{DS}$  is more than  $V_{DL}$ , and  $V_{CTLD}$  is  $V_{CTLDH}$  or more. This is the discharge cell-balance function.

If  $V_{CTLD}$  gets  $V_{CTLDL}$  or less, or  $V_{DS}$  is  $V_{DL}$  or less again, the S-8209A Series sets the CB pin the level of  $V_{SS}$ .

### 5. Delay Circuit

In the S-8209A Series, users are able to set delay time which is from detection of changes in  $V_{DS}$ ,  $V_{CTLC}$ ,  $V_{CTLD}$  to output to the CO, DO, CB pin.

For example in the detection of overcharge status, when  $V_{DS}$  exceeds  $V_{CU}$ , or  $V_{CTLC}$  gets  $V_{CTLCH}$  or more, charging to  $C_{CDT}$  starts via  $R_{CDT}$ . If the voltage between CDT and VSS ( $V_{CDT}$ ) reaches the CDT pin detection voltage ( $V_{CDET}$ ), the CO pin is in high impedance. The output pin delay time  $t_D$  is calculated by the following formula.

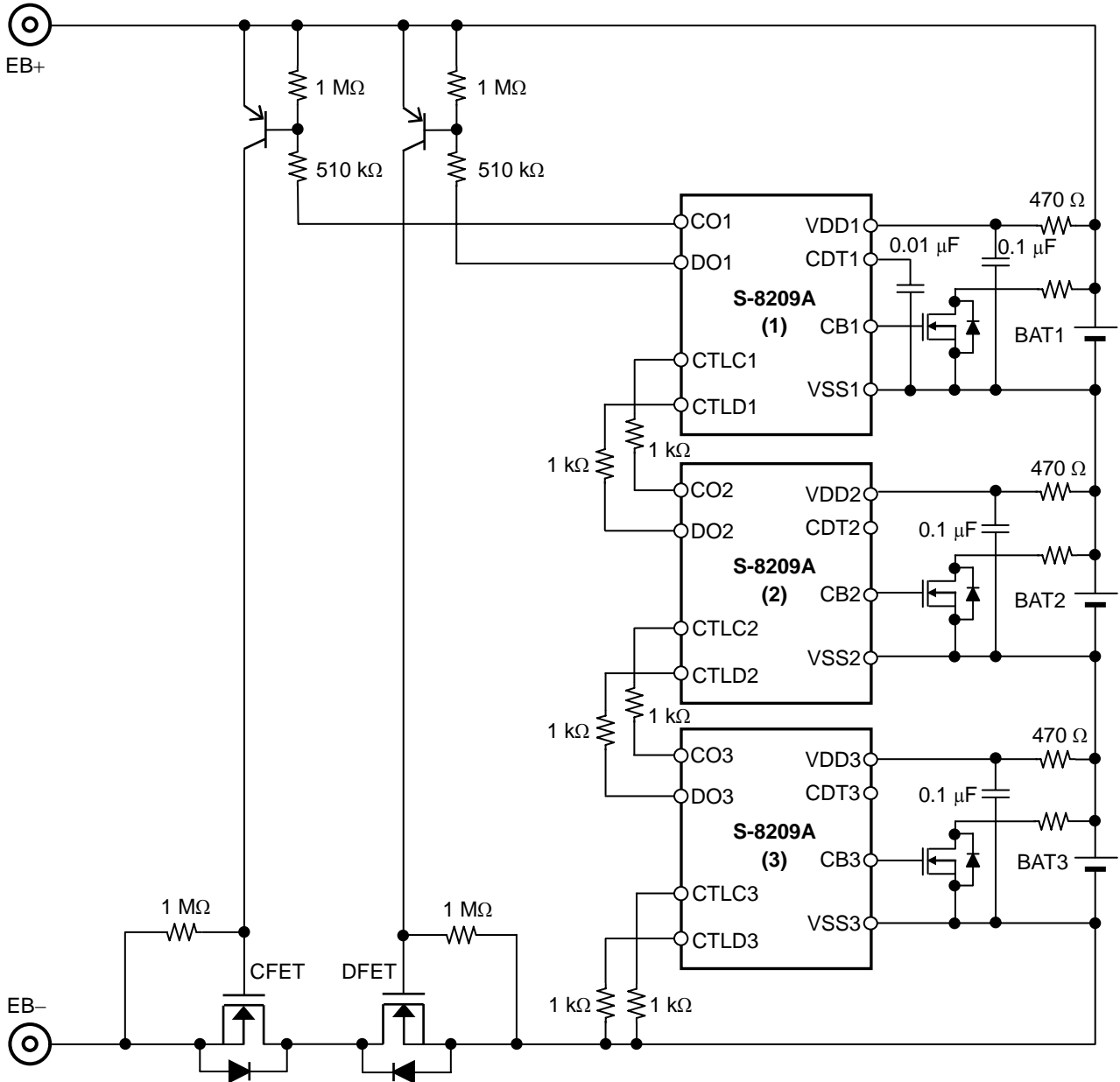
$$t_D [s] = 10.0 \text{ M}\Omega (\text{Typ.}) \times C_{CDT} [\mu\text{F}]$$

The electric charge in  $C_{CDT}$  starts to be discharged when the delay time has finished.

The delay time that users have set for the CO pin, as seen above, is settable for each output pin DO, CB.

■ **Example of Protection Circuit with S-8209A for Series Multi-Cells**

**Figure 16** shows the example of protection circuit with the S-8209A for series multi-cells. Regarding the operation of protection circuit with the S-8209A for series-connected batteries, refer to the application note "S-8209A Series Usage Guidelines".



**Figure 16**

- Caution 1. The above constants may be changed without notice.
- 2. The example of connection shown above and the constant do not guarantee proper operation. Perform thorough evaluation using the actual application to set the constant.

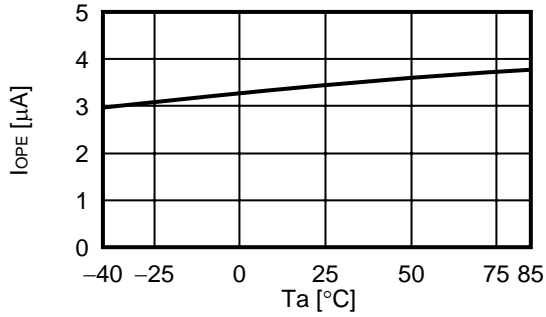
■ **Precautions**

- The application conditions for the input voltage, output voltage, and load current should not exceed the package power dissipation.
- Do not apply an electrostatic discharge to this IC that exceeds the performance ratings of the built-in electrostatic protection circuit.
- SII claims no responsibility for any and all disputes arising out of or in connection with any infringement by products including this IC of patents owned by a third party.

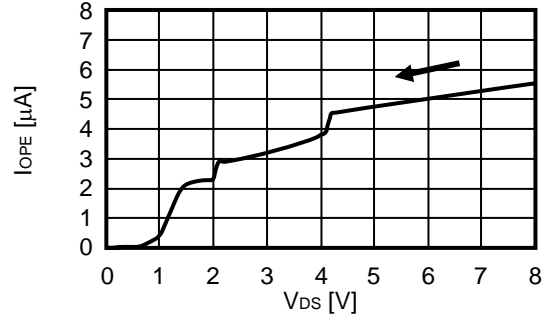
■ **Characteristics (Typical Data)**

**1. Current consumption**

(1)  $I_{OPE} - T_a$

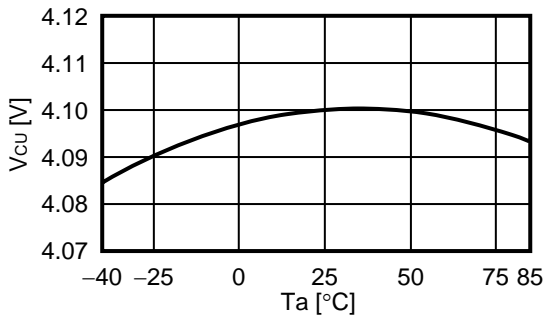


(2)  $I_{OPE} - V_{DS}$

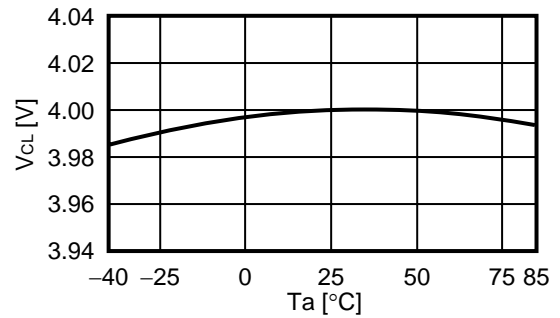


**2. Overcharge detection / release voltages, Cell-balance detection / release voltages, Overdischarge detection / release voltages**

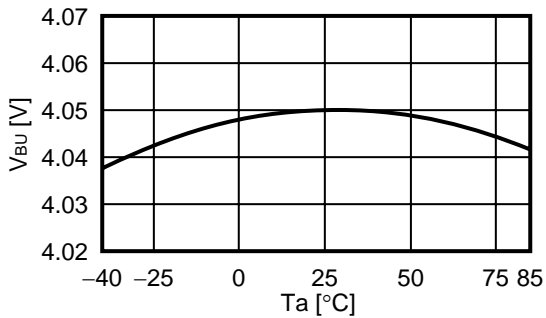
(1)  $V_{CU} - T_a$



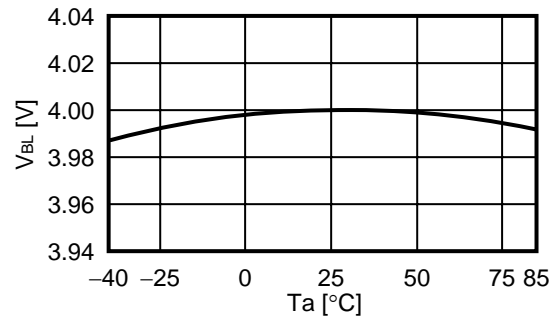
(2)  $V_{CL} - T_a$



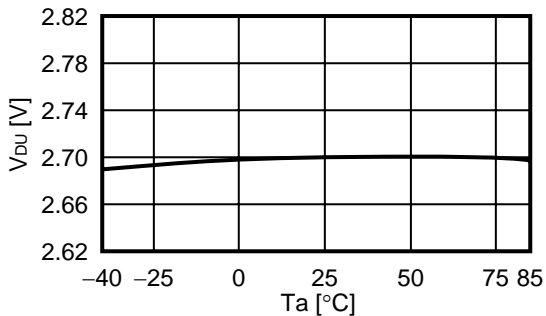
(3)  $V_{BU} - T_a$



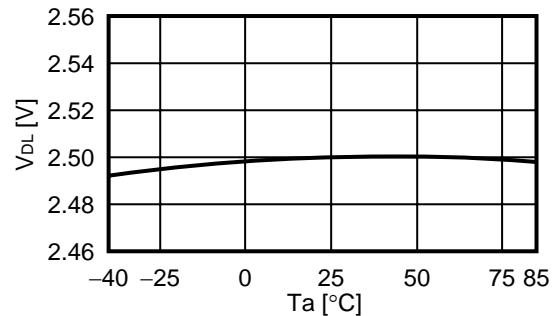
(4)  $V_{BL} - T_a$



(5)  $V_{DU} - T_a$

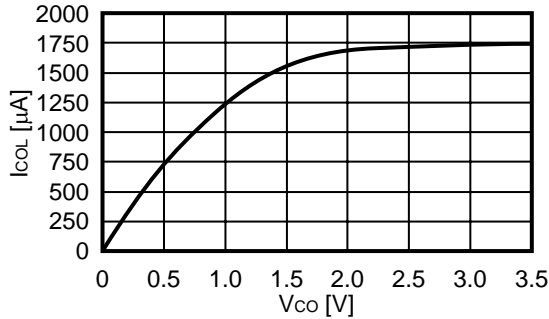


(6)  $V_{DL} - T_a$

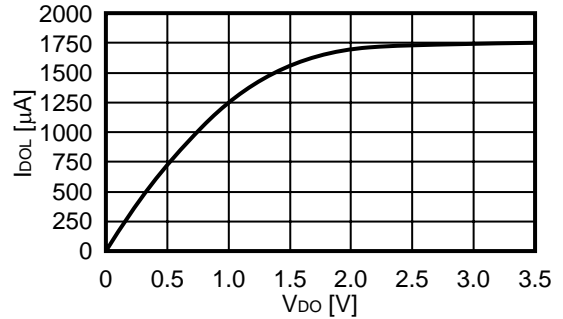


**3. CO / DO / CB pin current**

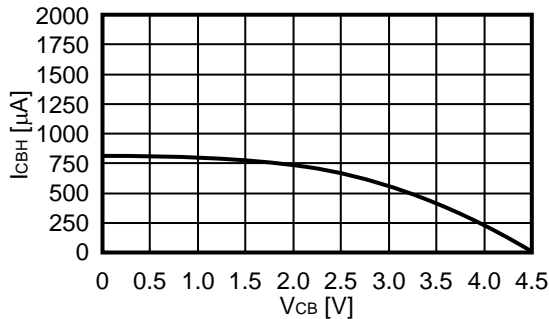
(1)  $I_{CO} - V_{CO}$  ( $V_{DS} = 3.5$  V)



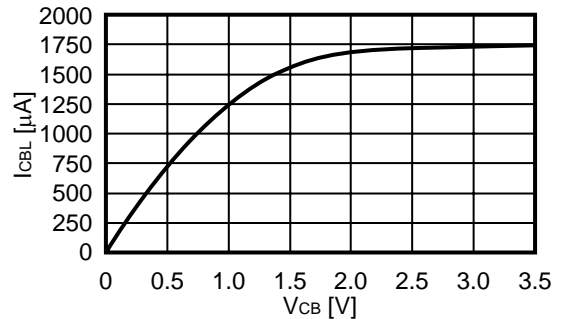
(2)  $I_{DO} - V_{DO}$  ( $V_{DS} = 3.5$  V)



(3)  $I_{CBH} - V_{CB}$  ( $V_{DS} = 4.5$  V)

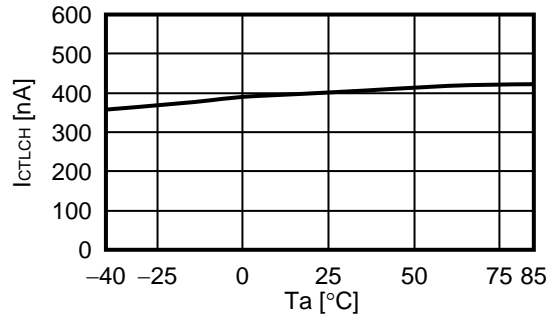


(4)  $I_{CBL} - V_{CB}$  ( $V_{DS} = 3.5$  V)

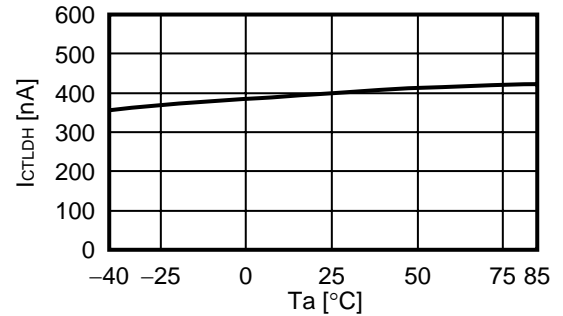


**4. CTLC / CTLD pin current**

(1)  $I_{CTLCH} - T_a$  ( $V_{DS} = 3.5$  V)

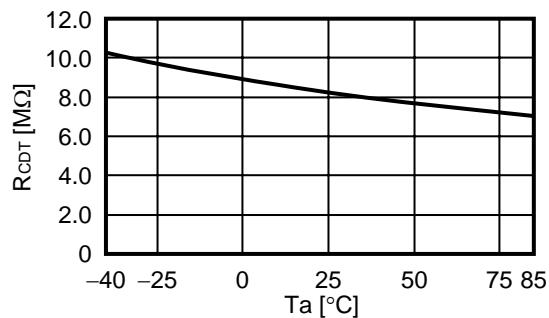


(2)  $I_{CTLDH} - T_a$  ( $V_{DS} = 3.5$  V)

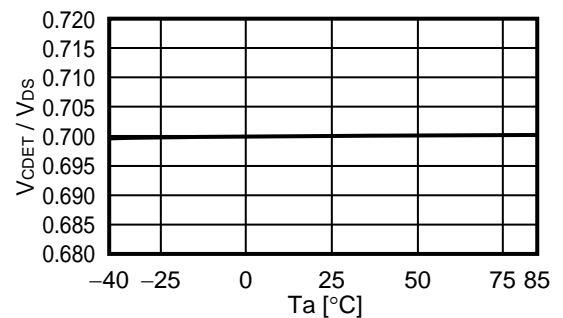


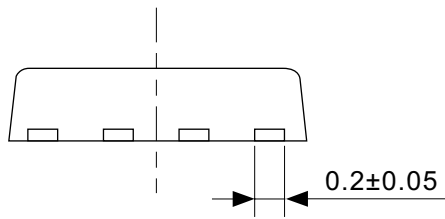
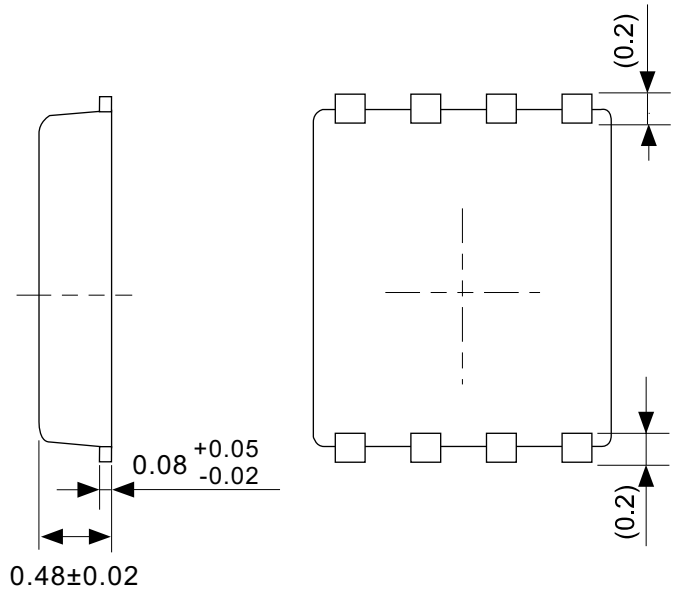
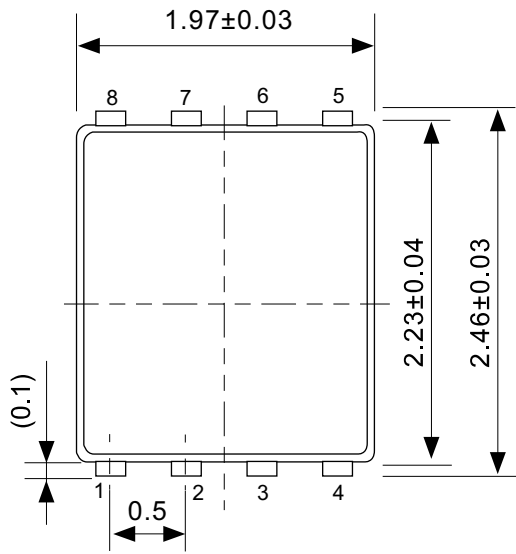
**5. CDT pin resistance / CDT pin detection voltage**

(1)  $R_{CDT} - T_a$



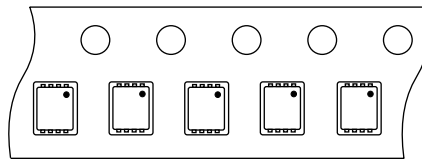
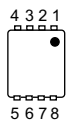
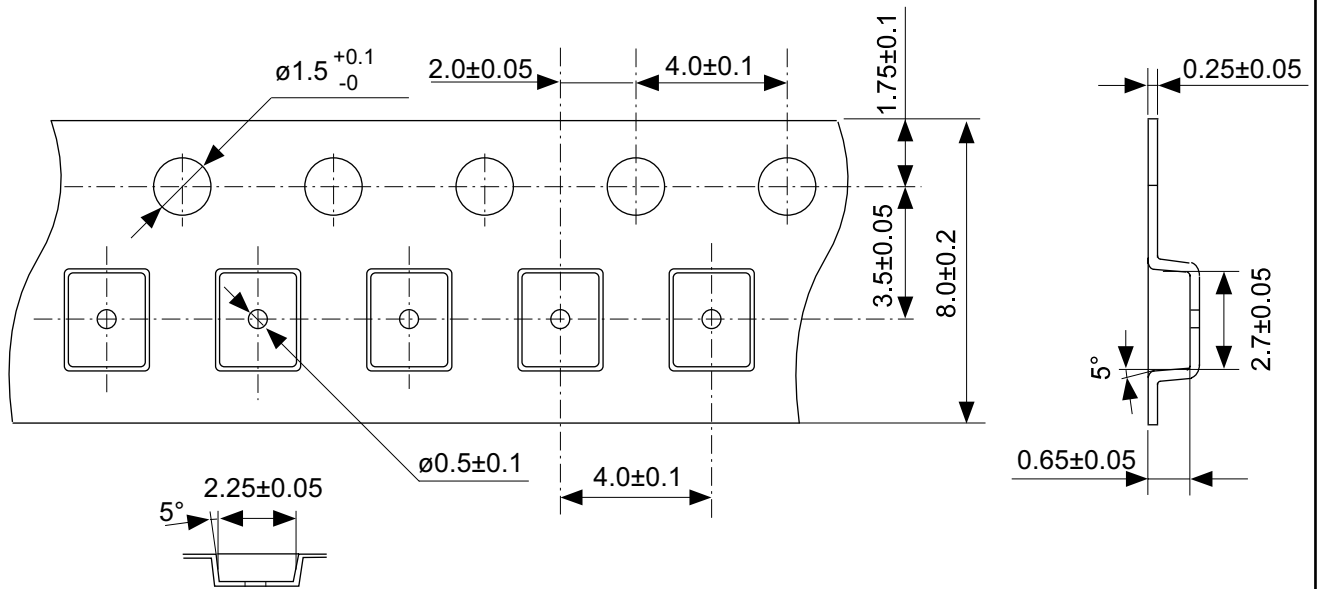
(2)  $V_{CDET} / V_{DS} - T_a$





No. PH008-A-P-SD-2.0

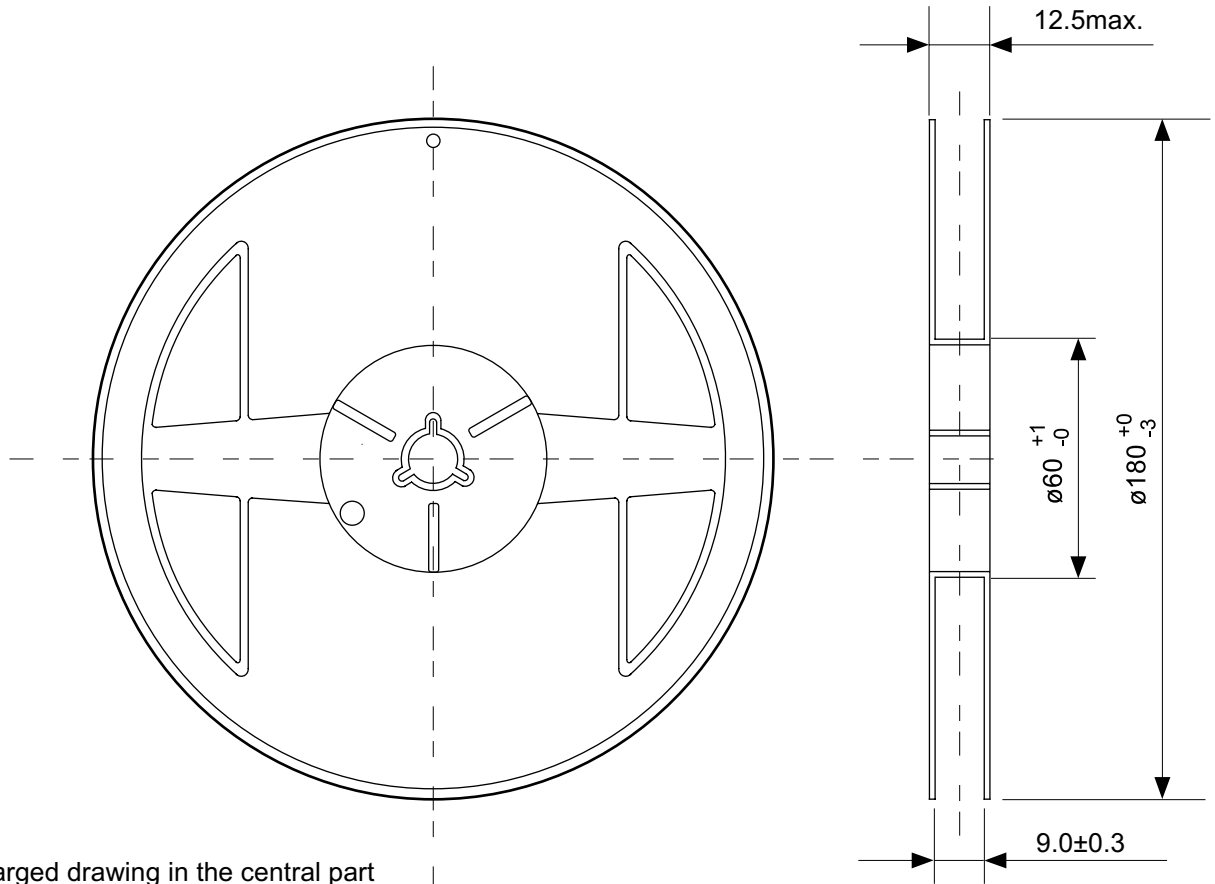
TITLE	SNT-8A-A-PKG Dimensions
No.	PH008-A-P-SD-2.0
SCALE	
UNIT	mm
Seiko Instruments Inc.	



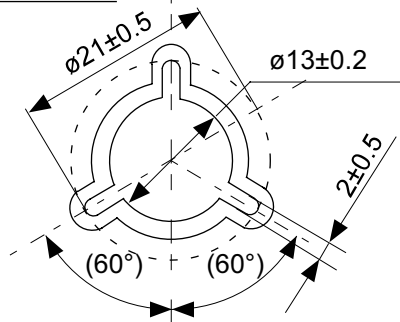
Feed direction

No. PH008-A-C-SD-1.0

TITLE	SNT-8A-A-Carrier Tape
No.	PH008-A-C-SD-1.0
SCALE	
UNIT	mm
Seiko Instruments Inc.	

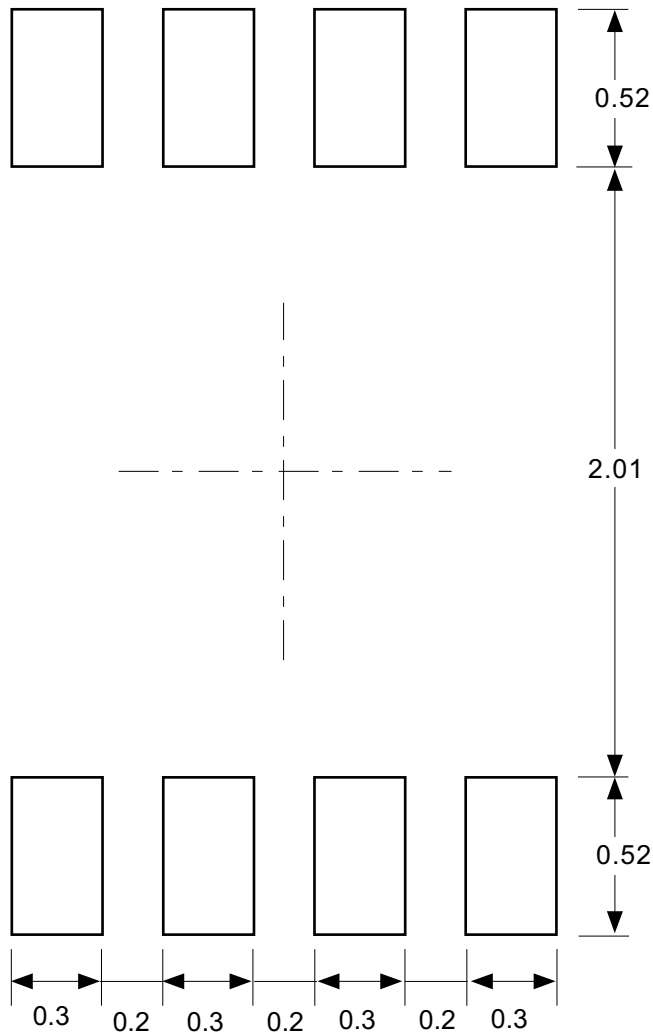


Enlarged drawing in the central part



No. PH008-A-R-SD-1.0

TITLE	SNT-8A-A-Reel		
No.	PH008-A-R-SD-1.0		
SCALE		QTY.	5,000
UNIT	mm		
Seiko Instruments Inc.			

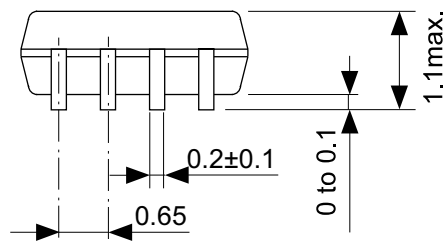
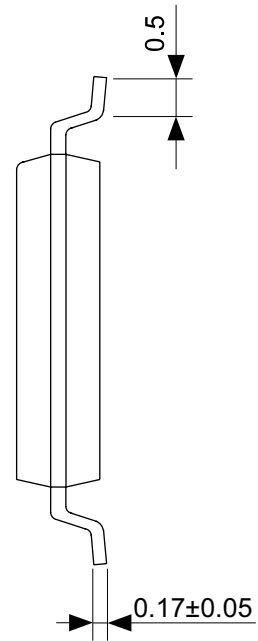
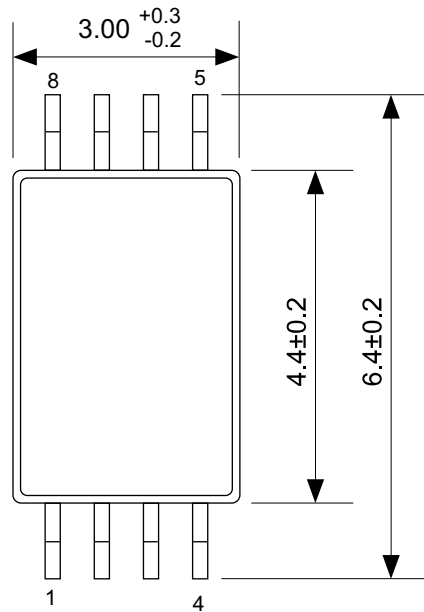


Caution Making the wire pattern under the package is possible. However, note that the package may be upraised due to the thickness made by the silk screen printing and of a solder resist on the pattern because this package does not have the standoff.

注意 パッケージ下への配線パターン形成は可能ですが、本パッケージはスタンドオフが無いので、パターン上のレジスト厚み、シルク印刷の厚みによってパッケージが持ち上がる場合がありますのでご配慮ください。

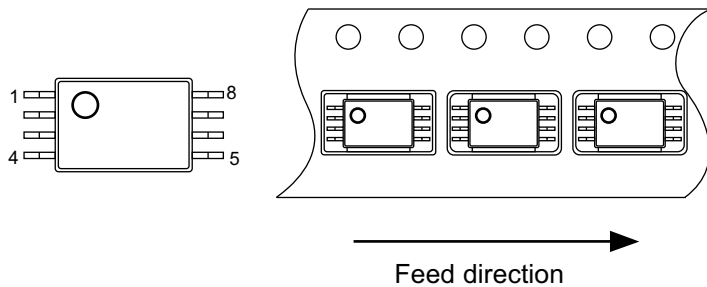
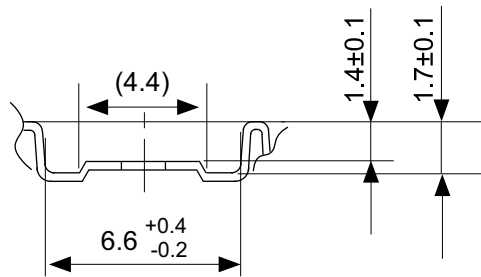
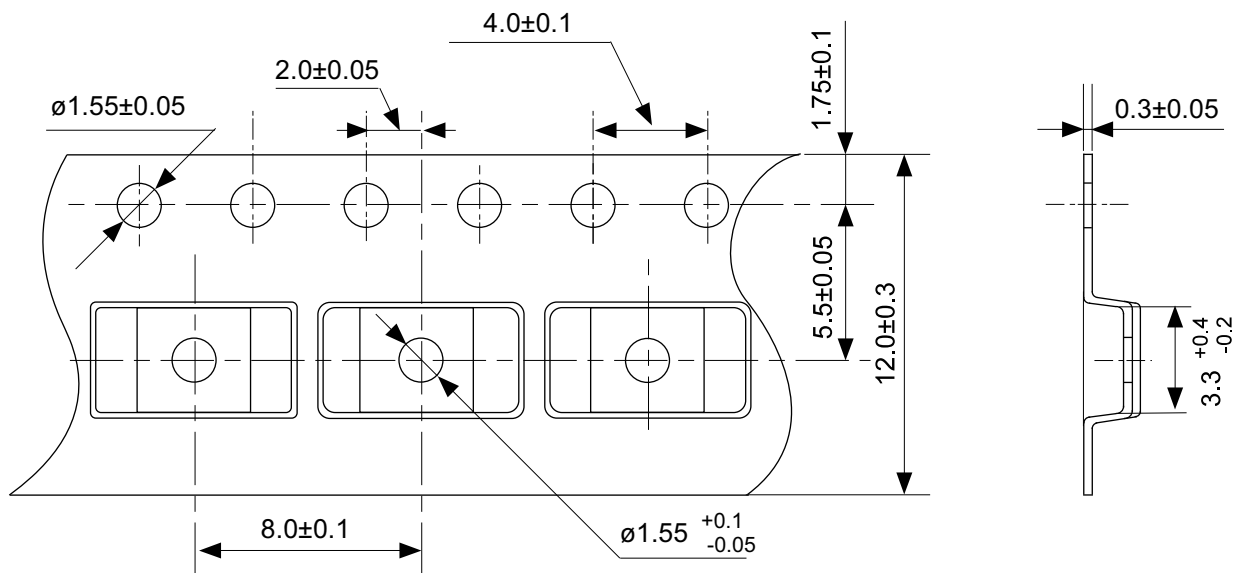
No. PH008-A-L-SD-3.0

TITLE	SNT-8A-A-Land Recommendation
No.	PH008-A-L-SD-3.0
SCALE	
UNIT	mm
Seiko Instruments Inc.	



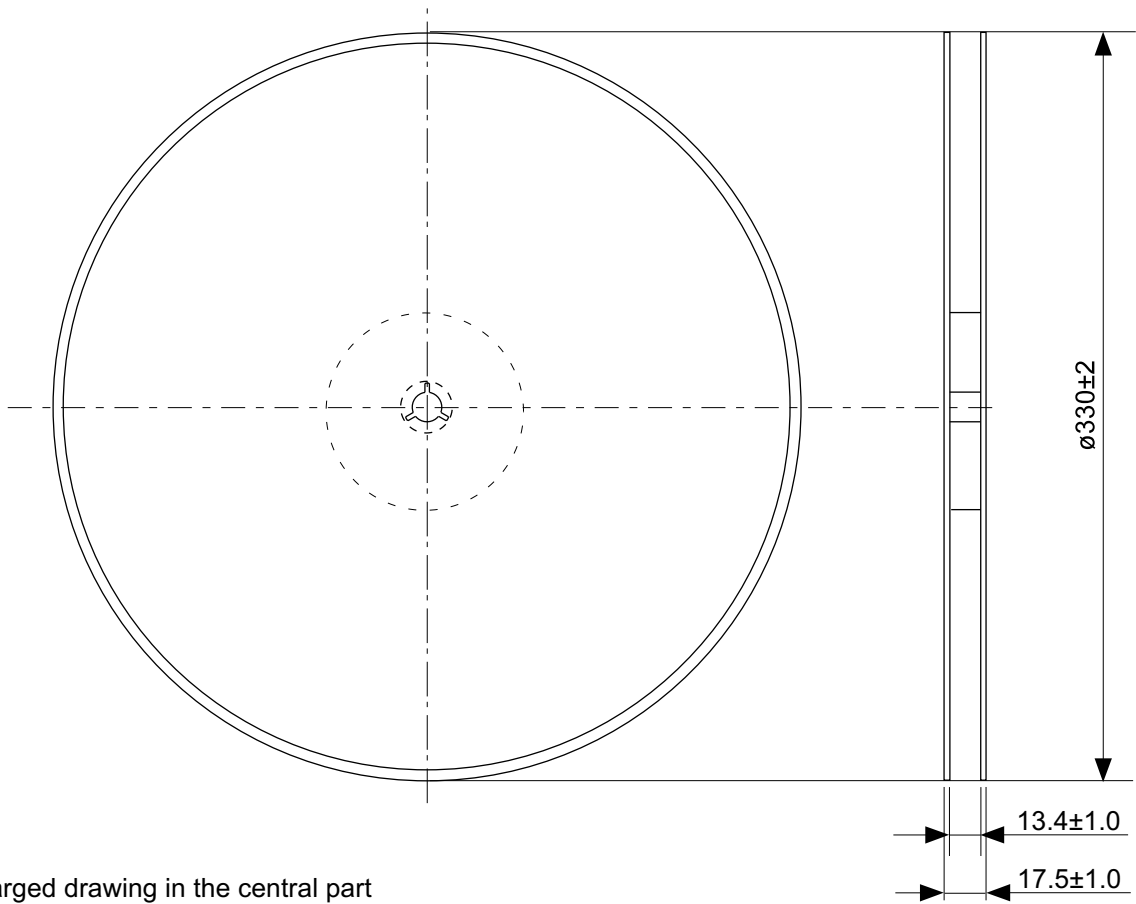
No. FT008-A-P-SD-1.1

TITLE	TSSOP8-E-PKG Dimensions
No.	FT008-A-P-SD-1.1
SCALE	
UNIT	mm
Seiko Instruments Inc.	

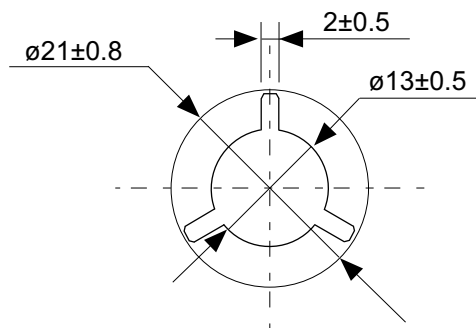


No. FT008-E-C-SD-1.0

TITLE	TSSOP8-E-Carrier Tape
No.	FT008-E-C-SD-1.0
SCALE	
UNIT	mm
Seiko Instruments Inc.	

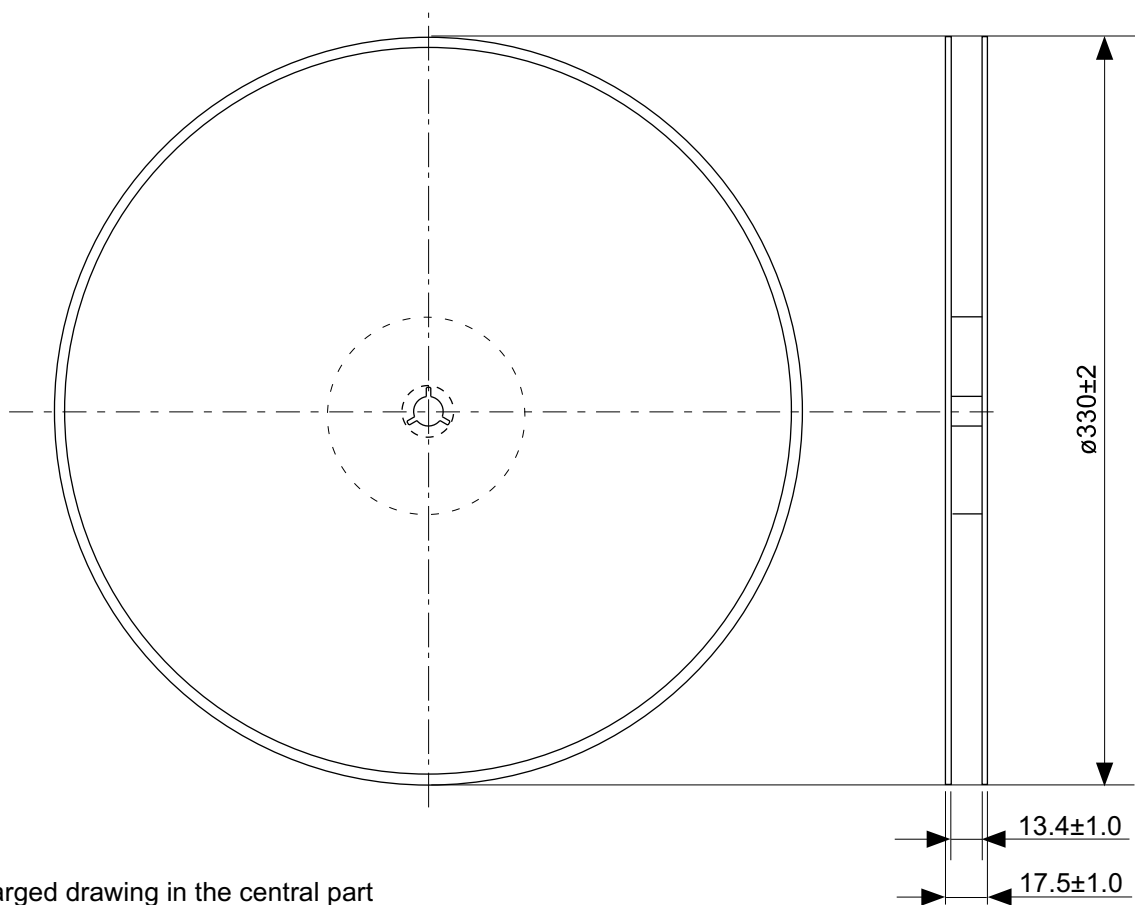


Enlarged drawing in the central part

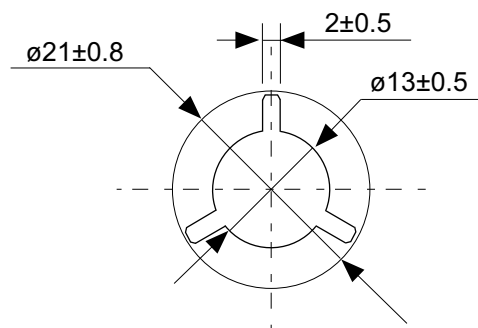


No. FT008-E-R-SD-1.0

TITLE	TSSOP8-E-Reel		
No.	FT008-E-R-SD-1.0		
SCALE		QTY.	3,000
UNIT	mm		
Seiko Instruments Inc.			



Enlarged drawing in the central part



No. FT008-E-R-S1-1.0

TITLE	TSSOP8-E-Reel		
No.	FT008-E-R-S1-1.0		
SCALE		QTY.	4,000
UNIT	mm		
Seiko Instruments Inc.			



Seiko Instruments Inc.  
[www.sii-ic.com](http://www.sii-ic.com)

- The information described herein is subject to change without notice.
- Seiko Instruments Inc. is not responsible for any problems caused by circuits or diagrams described herein whose related industrial properties, patents, or other rights belong to third parties. The application circuit examples explain typical applications of the products, and do not guarantee the success of any specific mass-production design.
- When the products described herein are regulated products subject to the Wassenaar Arrangement or other agreements, they may not be exported without authorization from the appropriate governmental authority.
- Use of the information described herein for other purposes and/or reproduction or copying without the express permission of Seiko Instruments Inc. is strictly prohibited.
- The products described herein cannot be used as part of any device or equipment affecting the human body, such as exercise equipment, medical equipment, security systems, gas equipment, or any apparatus installed in airplanes and other vehicles, without prior written permission of Seiko Instruments Inc.
- Although Seiko Instruments Inc. exerts the greatest possible effort to ensure high quality and reliability, the failure or malfunction of semiconductor products may occur. The user of these products should therefore give thorough consideration to safety design, including redundancy, fire-prevention measures, and malfunction prevention, to prevent any accidents, fires, or community damage that may ensue.